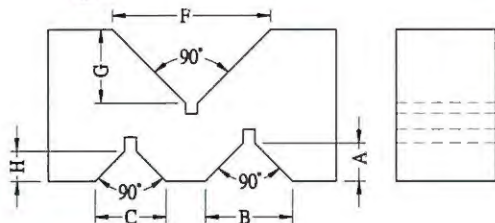




Material : Steel
 Hardness : HRC 52
 Accuracy : 0.02 mm / 100 mm
 ● For Production
 ※ Not for LAB



Unit:mm

ORDER NO.	A	B	C	F	G	H	L X W X H	WEIGHT (KGS)	CODE NO.
V-5VA	14	35	40	63	29	19	124X35X61	2.8	2005-017
V-3VA-S	10	22	18	40	18	8	72.8X25X36.7	0.88	2005-018
V-4VA-S	15	32	18	50	24	8	100X36X60	2.9	2005-019
V-5VA-S	16	35	22	65	31.5	9.5	124.6X49.8X79.8	6.8	2005-020



Precision Angle Blocks

ORDER NO.AB-130 CODE NO.2006-001

WEIGHT:1kg

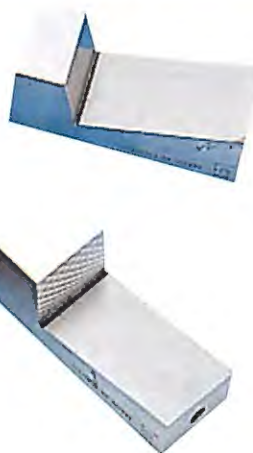


Furnished in 1° increments to 5 degrees and in 5° increments to 30 degrees. With the addition of the optional 1/4° and 1/2° blocks virtually and conceivable angle to these increments can be established.

- Simple, quick angle set-ups.
 - Eliminates calculations, avoids errors.
 - Lightly magnetized for better holding.
 - Manufactured of steel, hardened, stabilized and ground.
 - Sizes: 3" long x 1/4" thick. (75mm x 6mm)
 - Accuracy: .0001" per inch.
 - Oil-hardened steel, precision ground. 12pcs angle blocks (1/4°, 1/2°, 1°, 2°, 3°, 4°, 5°, 10°, 15°, 20°, 25°, 30°)
- ※ Not for LAB



Universal Angle Block Set



No sine plate, sine vise, angle chart or gauge block needed!

- A slope at any angle can be provided by installing a block or blocks on a machine vise up to 5°
 - 8 pieces in a deluxe wooden box include: 10°, 15° & 30° vee blocks and 5 angle plates-1° to 5° for AB-164
 - Heat treated 50° HRC & ground to 10 sec.
 - 9pcs angle blocks (1/2°, 1°, 2°, 3°, 4°, 5°, 10°, 15°, 30°,) for AB-163
- ※ Not for LAB

mm

ORDER NO.	L X W X H	WEIGHT (KGS)	CODE NO.
AB-163	Vee blocks: 3"Lx1 ³ / ₁₆ "Wx1 ³ / ₁₆ "H Angle Plates: 2 ³ / ₄ "Lx1 ³ / ₁₆ "Wx ⁵ / ₆₄ "H	2	2006-010
AB-164	Vee blocks: 4"Lx1 ¹ / ₂ "Wx1 ¹ / ₂ "H Angle Plates: 4"Lx1 ¹ / ₂ "Wx ⁵ / ₃₂ "H	3.8	2006-011



Micrometric Tangent Bar & Angle Gauge Block Set



ORDER NO.AB-166 CODE NO.2006-020

WEIGHT:1kg



Micrometric Tangent Bar & Angle Gauge Block Set

- Made of Hardened Steel, Precision Ground.
 - Accuracy $\pm .001$ " Per Inch.
 - Interlocking Slots.
 - Size of Angle Blocks: .35"x3"
- A Complete set for Angular set-ups. No Other Gauges Required.
- Simplicity in application.
- Angular set-ups with this are a zip. Just dial your angle direct in degrees and minutes. Add one or two angle block gauges for angles over 5° and Secure assembly by dropping 1/8" dowel or square key into slot provided.
- Complete with fitted case.
 - Hardness : HRC 50°
- ※ Not for LAB



Solid Angle Plates

ORDER NO.AB-167 CODE NO.2006-030

WEIGHT:0.3kg



Solid Angle Plates

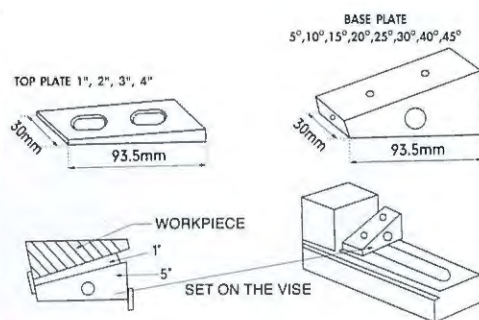
- Precision ground angles for convenient set-ups in tooling, production and inspection.
 - Four holes on top of it for easy mounting.
 - 1/4" Thick, packed in cardboard box.
 - Set of 3"x3"x4-3/8", 45°x45°x90°x1pc
2"x3-15/32"x4", 30°x60°x90°x1pc
 - Hardness : HRC 50°
- ※ Not for LAB



Precision Angle Blocks

ORDER NO:AB-113(13PCS/SET) CODE NO:2006-040

WEIGHT:7.1kgs



FEATURES

- Angle Tolerance:0.02Mm
 - Can Be Assembled Top Plate With Base Plate For 6°-9°, 16°-19°, 26°-29°, 36°-39°, 46°-49°
 - Harden Treatment Up To Hrc 55°
 - Made By The Material Of Sk2
 - Can Be Cooperate Two Set For Use.
- ※ Not for LAB

PLATE	ANGLE DEGREE
TOP PLATE	1°, 2°, 3°, 4°
BASE PLATE	5°, 10°, 15°, 20°, 25°, 30°, 35°, 40°, 45°