



Electrode Vise

MINI TYPE
JAW WIDTH 25mm



VERTEX[®]

(ALLOY STEEL) FOR EDM

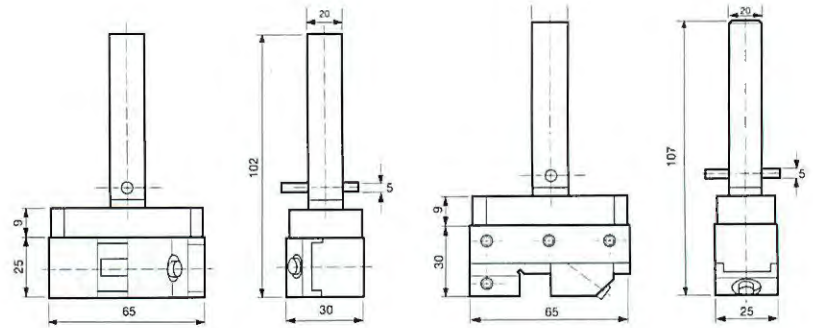
ELECTRODE HOLDERS FOR ELECTRO DISCHARGE MACHINE

Mini vise can be used in fixed electrode holders.

The opening with a cross V groove on the vise can do electric discharging both by vertical way and horizontal way for various-shape workieces.

The max. opening on the vise is 20 mm.

※ Not 100% magnetic proof

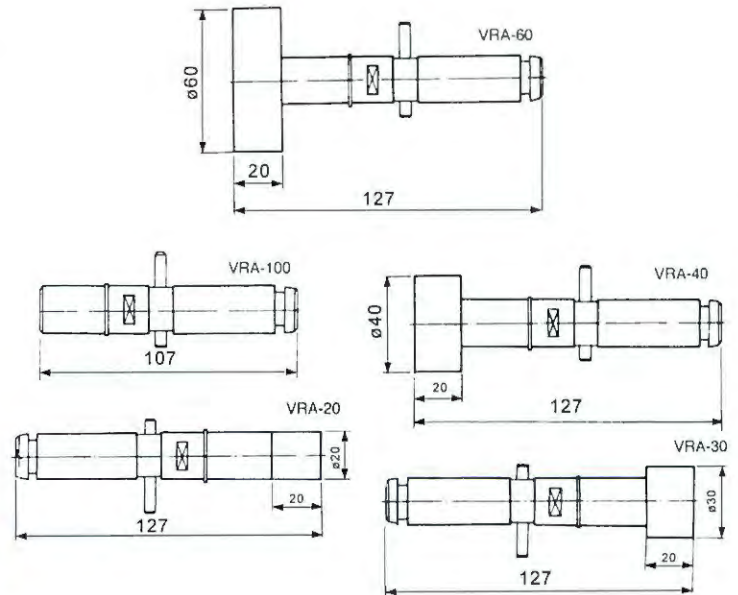


ORDER NO.	MATERIAL	LENGHT	WIDTH	JAW OPENING	JAW HEIGHT	HARDEN	WEIGHT (kgs)	CODE NO.
VEH-20	SKS	65	25	20	10	HRC 58°-60°	0.8	2008-001



Electrode Holder

FOR EDM



ORDER NO.	VRA-20	VRA-30	VRA-40	VRA-60	VRA-100
WEIGHT(KG)	0.2	0.4	0.5	0.9	0.3
CODE NO.	2008-010	2008-011	2008-012	2008-013	2008-014



FEATURES

CHEMICAL COMPOSITION

65/35 brass equivalent to Alloy No. JIS-H3260 C2700

NO ACID-CORROSION AND NO DAMAGE TO RESINS

The special treatment avoids acid-corrosion on machine and workpiece.

HIGH SURFACE QUALITY

The special treatment makes the wire surface smooth, free from dirt, rust and grease that causes inefficiency to electric discharge.

STANDARD WEIGHT CONTROL

By perfect control in process, we obtain the standard weight per coil that enables us to maintain the stability of processing time and the accuracy of drawing.

NO WELDMENT

The rough surface caused by welding could affect the quality and accuracy of performance. The welded wire tends to break that wastes the time to re-thread.

HIGH-DIMENSIONAL PRECISION

Wire diameter tolerance and roundness tolerance are both limited to $1/\mu\text{m}$.

OUTSTANDING STRAIGHTNESS

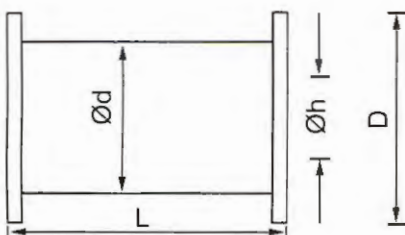
Outstanding straightness ensures automatic threading successfully.

※FLOATING PRICE, CONTACT US BEFORE ORDERING.

SPECIFICATION

ORDER NO.	WIRE TYPE	DIAMETER		DIAMETER TOLERANCE (mm)	BREAKING LOAD (kgs)	TENSILE STRENGTH (N/mm)	ELONGATION (%)	SUITFUL WORKING STYLE	CODE NO.
		inch	mm						
VEW-20H	HARD	0.008	0.20	±0.001	3.14	980 ≒	0.4 ≒	STRAIGHT CUTTING a.PASS CUTTING b.ROUGH CUTTING c.FINISH CUTTING	2009-003
VEW-25H		0.010	0.25		4.92				2009-004
VEW-30H		0.012	0.30		7.07				2009-005
VEW-20S	SOFT	0.008	0.20	±0.001	1.41	441 ≒	15 ≒	ANGLE CUTTING	2009-010
VEW-25S		0.010	0.25		2.21				2009-011
VEW-30S		0.012	0.30		3.18				2009-012

THE PACKING USED A STANDARD COIL.
HERE THE POPULAR IS P-5R (5kgs).



PACKING COIL TYPE	COIL SHAPE	WIGHT OF WIRE ON COIL (kg)	DIAMETER OF WIRE (mm)	D (mm)	d (mm)	L (mm)	h (mm)	LENGTH OF WIRE ON COIL (M)	NUMBER OF COILS /BOX
P-5R		5	0.20 0.25 0.30 0.33	160	90	114	20	18314 11553 8001 6750	4