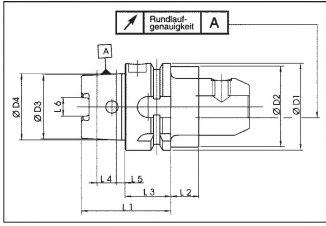


VERTEX® HSK-A63,A100(DIN-69893) Tool Holder

Form A



Compared to the steep taper the HSK has the following advantages

- High repetition accuracy when clamping tools into spindle
- Fix axial positioning by flat contact surface
- Suitable for high speed cutting
- No pull stud necessary

Material

- Special Cast-hardening steel for highly stressed parts
- Surface hardness 58-2 HRC

Tensile strength in core min.1000 N / mm²

DIN 69893

SIZE	ØD1	ØD2	ØD3	ØD4	L1	L2	L3	L4	L5	L6
HSK 63	63	53	46.53	48	58	16	26	14.7	6.3	12.54

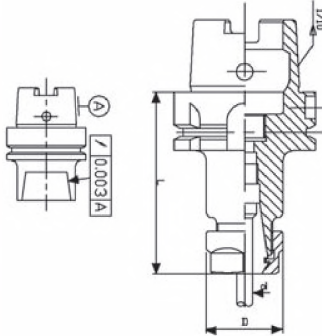
VERTEX® HSK-A63,A100(DIN69893A) ER Collet Chucks

DIN69893 A



10000 R.P.M. G6.3

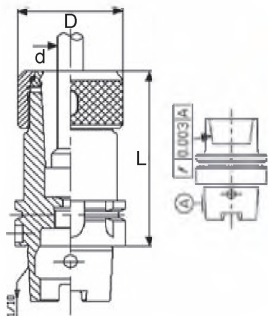
Caution: Excessive torque will damage the chuck, nut or collet.



ORDER NO.	L	ØD	Ød RANGE	WEIGHT (kgs)	CODE NO.
HSK-A63-ER16-100	100	30	0.5-10	1.07	3217-100
HSK-A63-ER16-150	150	30	0.5-10	1.33	3217-101
HSK-A63-ER20-100	100	35	1.0-13	1.07	3217-102
HSK-A63-ER20-150	150	35	1.0-13	1.47	3217-103
HSK-A63-ER25-100	100	42	1.0-16	1.29	3217-104
HSK-A63-ER25-150	150	42	1.0-16	1.80	3217-105
HSK-A63-ER32-100	100	50	2.0-20	1.48	3217-106
HSK-A63-ER32-150	150	50	2.0-20	2.16	3217-107
HSK-A63-ER40-100	100	63	3.0-26	1.56	3217-108
HSK-A63-ER40-150	150	63	3.0-26	2.27	3217-109
HSK-A100-ER16-100	100	30	0.5-10	2.3	3217-110
HSK-A100-ER16-150	150	30	0.5-10	2.5	3217-111
HSK-A100-ER20-100	100	35	1.0-13	2.4	3217-112
HSK-A100-ER20-150	150	35	1.0-13	2.7	3217-113
HSK-A100-ER25-100	100	42	1.0-16	2.64	3217-114
HSK-A100-ER25-150	150	42	1.0-16	3.2	3217-115
HSK-A100-ER32-100	100	50	2.0-20	2.8	3217-116
HSK-A100-ER32-150	150	50	2.0-20	3.67	3217-117
HSK-A100-ER40-100	100	63	3.0-26	3.1	3217-118
HSK-A100-ER40-150	150	63	3.0-26	4.2	3217-119

VERTEX® HSK-A63,A100(DIN69893A) OZ Collet Chucks

DIN69893 A



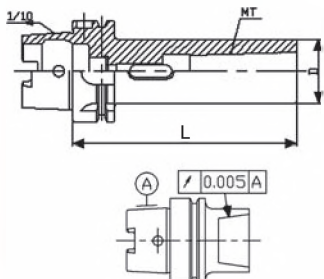
10000 R.P.M. G6.3

ORDER NO.	L	ØD	Ød RANGE	WEIGHT (kgs)	CODE NO.
HSK-A63-OZ25-100	100	60	2-25	1.6	3217-121
HSK-A63-OZ32-120	120	78	4-32	2.3	3217-122
HSK-A100-OZ25-100	100	60	2-25	2.9	3217-123
HSK-A100-OZ32-120	120	78	4-32	3.6	3217-124

VERTEX® HSK-A63,A100 Morse Taper Holders

DIN69892 A

DIN 69892A



10000 R.P.M. G6.3

ORDER NO.	MT NO.	L	ØD	kgs	CODE NO.
HSK-A63-MTA1-100	1	100	25	1	3217-130
HSK-A63-MTA2-120	2	120	35	1.3	3217-131
HSK-A63-MTA3-140	3	140	40	1.6	3217-132
HSK-A63-MTA4-160	4	160	50	2.2	3217-133
HSK-A100-MTA1-110	1	100	25	2.2	3217-134
HSK-A100-MTA2-120	2	120	35	2.5	3217-135
HSK-A100-MTA3-150	3	140	40	2.9	3217-136
HSK-A100-MTA4-170	4	160	50	3.5	3217-137
HSK-A100-MTA5-200	5	200	65	5.3	3217-138

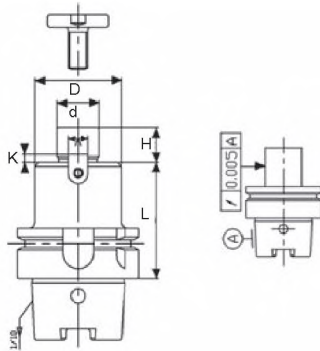


HSK-A63,A100 Face Mill Holders



DIN69893 A

DIN 69893A



10000 R.P.M. G6.3

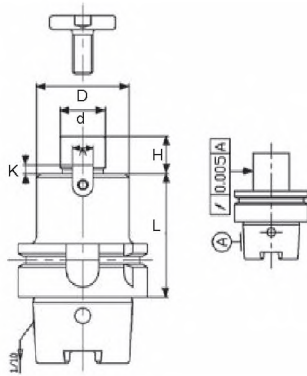
ORDER NO.	L	Ød(h6)	ØD	H	K	W	kgs	CODE NO.
HSK-A63-FMA25.4-60	60	25.4	50	20	5	9.5	1.4	3217-140
HSK-A63-FMA25.4-120	120						2.4	3217-141
HSK-A63-FMA31.75-60	60	31.75	60	22	7	12.7	1.6	3217-142
HSK-A63-FMA31.75-120	120						2.6	3217-143
HSK-A63-FMA38.1-60	60	38.1	80	25	9	15.9	2.0	3217-144
HSK-A63-FMA38.1-120	120						3.0	3217-145
HSK-A100-FMA25.4-60	60	25.4	50	20	5	9.5	2.7	3217-146
HSK-A100-FMA25.4-120	120						3.7	3217-147
HSK-A100-FMA31.75-60	60	31.75	60	22	7	12.7	2.9	3217-148
HSK-A100-FMA31.75-120	120						3.9	3217-149
HSK-A100-FMA38.1-60	60	38.1	80	25	9	15.9	3.3	3217-150
HSK-A100-FMA38.1-120	120						4.3	3217-151
HSK-A100-FMA50.8-60	60	50.8	100	28	12	15.9	4.1	3217-152
HSK-A100-FMA50.8-120	120						5.6	3217-153



HSK-A63,A100 Face Mill Holders

DIN69893 A

DIN 69893A



10000 R.P.M. G6.3

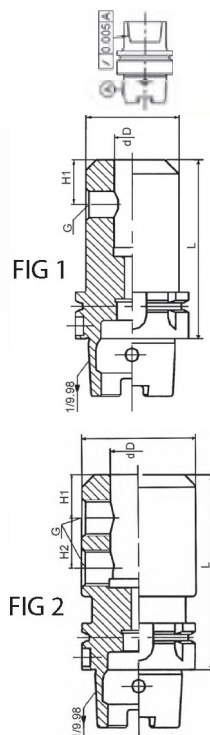
ORDER NO.	L	Ød(h6)	ØD	H	K	W	kgs	CODE NO.
HSK-A63-FMB22-50	50	22	48	18	5	10	1.1	3217-156
HSK-A63-FMB22-120	120						2.1	3217-157
HSK-A63-FMB27-60	60	27	60	20	6	12	1.5	3217-158
HSK-A63-FMB27-120	120						2.8	3217-159
HSK-A63-FMB32-60	60	32	72	22	7	14	1.8	3217-160
HSK-A63-FMB32-120	120						3.8	3217-161
HSK-A63-FMB40-60	60	40	80	25	8	16	2.1	3217-162
HSK-A63-FMB40-120	120						3.2	3217-163
HSK-A100-FMB22-50	50	22	48	18	5	10	2.5	3217-164
HSK-A100-FMB22-120	120						3.4	3217-165
HSK-A100-FMB27-60	60	27	60	20	6	12	2.9	3217-166
HSK-A100-FMB27-120	120						4.3	3217-167
HSK-A100-FMB32-60	60	32	72	22	7	14	3.4	3217-168
HSK-A100-FMB32-120	120						5.3	3217-169
HSK-A100-FMB40-60	60	40	80	25	8	16	3.6	3217-170
HSK-A100-FMB40-120	120						6.0	3217-171



HSK-A63,A100 Sidelock End Mill Holder

DIN69893 A

DIN 69893A



ORDER NO.	L	Ød	ØD	H1	H2	G	FIG	WEIGHT kg	CODE NO.		
HSK-A63-SLA6-80	80	6	25	18	24	M6x0.75	1	0.8	3217-180		
HSK-A63-SLA8-80	80	8	28	18		M8x1.0		0.9	3217-181		
HSK-A63-SLA10-80	80	10	35	20		M10x1.0		1.0	3217-182		
HSK-A63-SLA12-90	90	12	42	22.5		M12x1.5		1.2	3217-183		
HSK-A63-SLA14-90	90	14	45	23		M14x1.5		1.3	3217-184		
HSK-A63-SLA16-100	100	16	48	24				1.5	3217-185		
HSK-A63-SLA18-100	100	18	50	24				1.6	3217-186		
HSK-A63-SLA20-100	100	20	52	25				M16x1.5	1.7	3217-187	
HSK-A63-SLA25-110	110	25	62	24		25		M18x2.0	2	2.2	3217-188
HSK-A63-SLA32-110	110	32	63	24		28		M20x2.0		2.1	3217-189
HSK-A100-SLA10-80	80	10	35	20	24	M10x1.0	1	2.4	3217-190		
HSK-A100-SLA12-90	90	12	42	22.5		M12x1.5		2.6	3217-191		
HSK-A100-SLA16-100	100	16	48	24		M14x1.5		2.9	3217-192		
HSK-A100-SLA20-100	100	20	52	25		M16x1.5		3.0	3217-193		
HSK-A100-SLA25-110	110	25	64	24		25		M18x2.0	2	3.6	3217-194
HSK-A100-SLA32-110	110	32	72	24		28		M20x2.0		4.1	3217-195
HSK-A100-SLA40-120	120	40	80	30		32		M20x2.0	4.7	3217-196	