



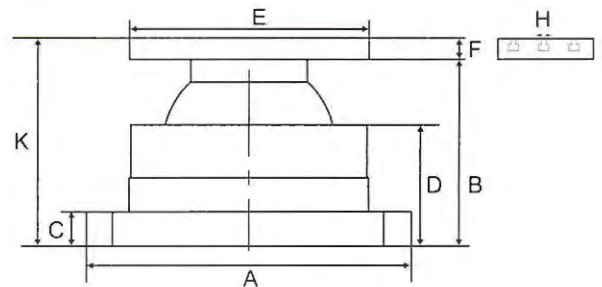
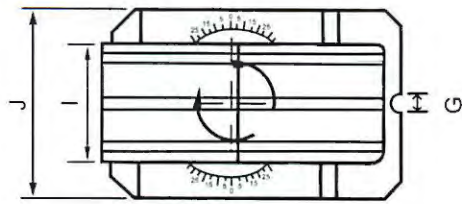
# Free Angle Table



NEW



FOR CLAMPING



### Features:

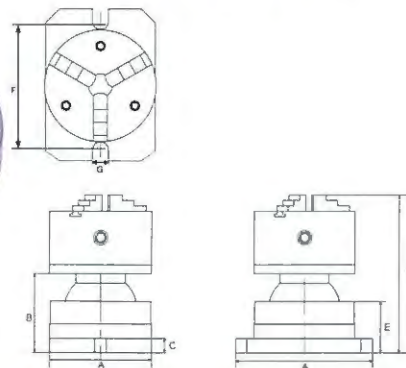
- Quick setting
- Operating is very quick and easy, can increase so much working efficiency than you can image.
- 360° Rotation, Tilting 30°
- For non-normal angle setting.
- Its swivelling and tilting features with chuck clamping make this unit for round & square, angular drilling machining on various machine tools or for bench work table.
- Plate is precisely ground.
- For clamping tool vise & many other way of clamping.

ORDER NO.	A	B	C	D	Table size		F	G	H	J	K	G.W (kgs)	CODE NO.
					E	I							
VAV-1020	140	120	20	72	200	100	34	17	12	140	153	15	2003-120
VAV-1325	140	120	20	72	250	126	34	17	12	140	153	17	2003-121



# Free Angle Rotary Chuck

NEW



- With VSC-4, VSC-5, 3-JAW Chuck.
- O.D. Clamping  $\varnothing$ 3-90 mm (VSC-4)
- O.D. Clamping  $\varnothing$ 3-110 mm (VSC-5)
- I.D. Clamping  $\varnothing$  32-84 mm (VSC-4)
- I.D. Clamping  $\varnothing$  35-100 mm (VSC-5)

### Features:

- Quick setting
- Operating is very quick and easy, can increase so much working efficiency than you can image.
- 360° Rotation, Tilting 30°
- For non-normal angle setting.
- Its swivelling and tilting features with chuck clamping make this unit for round & square, angular drilling machining on various machine tools or for bench work table.



ORDER NO.	A	B	C	D	E	F	G	H	Weight (kgs)	CODE NO.
VAV-4J	140	120	20	190	72	158	17	203	16	1002-217
VAV-5J	140	120	20	190	72	158	17	203	17	1002-218

FREE ANGLE TABLE