



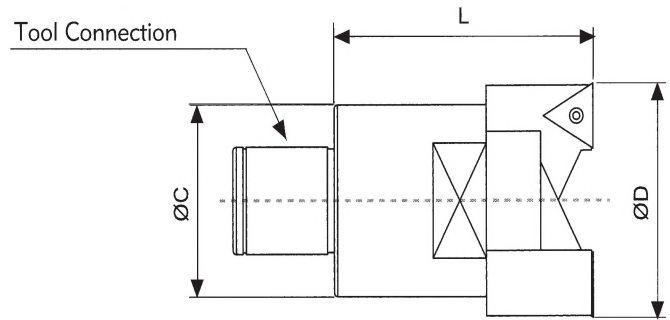
Changeable 2 Inserts Rough Boring Head VRB



VMH-SYSTEM

Boring diameter from $\varnothing 25$ - $\varnothing 350$ mm

※Adjustable



- C ◆
- INSERT STYLE -T ▲
- S ■

BORING SYSTEM

	ORDER NO.	Tool connection	D(mm) Boring Range		L (mm)	C (mm)	Insert	Weight (g)	CODE NO.
		VRB25-33C	B2080	25	33	45	24	CCMT060204	0.15
VRB32-42C		B3080	32	42	55	31	CCMT060204	0.3	3320-271
VRB32-42T							TCMT110204		3320-272
VRB40-55C		B4070	40	55	65	39	CCMT09T304	0.5	3320-273
VRB40-55T							TCMT16T304		3320-274
VRB40-55S							SCMT09T304		3320-275
VRB52-70C		B5060	52	70	75	50	CCMT09T304	1	3320-276
VRB52-70T							TCMT16T304		3320-277
VRB52-70S							SCMT09T304		3320-278
VRB68-92C		B6065	68	92	85	64	CCMT120408	2	3320-279
VRB68-92T							TCMT16T304		3320-280
VRB68-92S							SCMT120404		3320-281
VRB90-122C		B6065	90	122	100	80	CCMT120408	2.9	3320-282
VRB90-122T							TCMT220408		3320-283
VRB90-122S							SCMT120404		3320-284
	VRB120-164C	VT-BT40-BS70 VT-BT50-BS100 VT-BT50-BS200 VT-BT50-BS300 VT-BT50-BS400	120	164	95	100	CCMT120408	3.8	3320-285
	VRB120-164T						TCMT220408		3320-286
	VRB120-164S						SCMT120404		3320-287
	VRB160-204C		160	204	130	CCMT120408	4.8	3320-288	
	VRB160-204T					TCMT220408		3320-289	
	VRB160-204S					SCMT120404		3320-290	
	VRB200-300C	VT-BT40-BS70 VT-BT50-BS100 VT-BT50-BS200 VT-BT50-BS300 VT-BT50-BS400	200	300	95	170	CCMT120408	6.5	3320-291A
	VRB200-300T						TCMT220408		3320-292A
	VRB200-300S						SCMT120404		3320-293A
	VRB300-400C		300	400	260	CCMT120408	10	3320-297A	
	VRB300-400T					TCMT220408		3320-298A	
	VRB300-400S					SCMT120404		3320-299A	



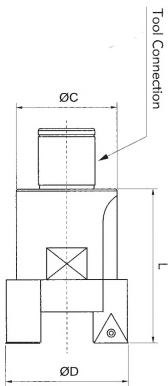
Changeable 2 Inserts Rough Boring Head VRB-L VERTEX®

※Adjustable

Boring range from $\varnothing 25\text{mm}$ to $\varnothing 1250\text{mm}$;
a variety of tool holders and boring heads are for your selection.



	ORDER NO.	Tool connection	D(mm) Boring Range	L (mm)	C (mm)	Insert	Weight (g)	CODE NO.
	VRB25-35LC	B2080	25~35	50	24	CCMT060204	0.15	3320-340
	VRB32-45LC	B3080	32~45	60	31	CCMT060204	0.3	3320-341
	VRB32-45LT					TCMT110204		3320-342
	VRB40-55LC	B4070	40~55	74	39	CCMT09T304	0.6	3320-343
	VRB40-55LT					TCMT16T304		3320-344
	VRB40-55LS					SCMT09T304		3320-345
	VRB52-75LC	B5060	52~75	80	50	CCMT09T304	1	3320-346
	VRB52-75LT					TCMT16T304		3320-347
	VRB52-75LS					SCMT09T304		3320-348
	VRB68-100LC	B6065	68~100	90	66	CCMT120408	2.5	3320-349
	VRB68-100LT					TCMT16T304		3320-350
	VRB68-100LS					SCMT120404		3320-351
	VRB90-130LC	B6065	90~130	100	88	CCMT120408	3.1	3320-352
VRB90-130LT	TCMT16T304					3320-353		
VRB90-130LS	SCMT120404					3320-354		
	VRB120-164LC	VT-BT40-BS70 VT-BT50-BS100 VT-BT50-BS200 VT-BT50-BS300 VT-BT50-BS400	120~164	95	100	CCMT120408	3.8	3320-355
	VRB120-164LT					TCMT220408		3320-356
	VRB120-164LS		SCMT120404		3320-357			
	VRB160-204LC		160~204		130	CCMT120408	4.8	3320-358
	VRB160-204LT					TCMT220408		3320-359
	VRB160-204LS					SCMT120404		3320-360
	VRB200-310L	FMA-47.625	200~310	130	180	Optional Inserts CCMT120408 TCMT16T304 TCMT220408 SCMT120404	9.5	3320-361
	VRB300-410L		300~410		280		11.5	3320-362
	VRB400-510L		400~510		380		13.5	3320-363
	VRB500-610L		500~610		480		15.5	3320-364
	VRB600-900L		600~900		580		23	3320-365
	VRB900-1200L		900~1200		680		32	3320-366

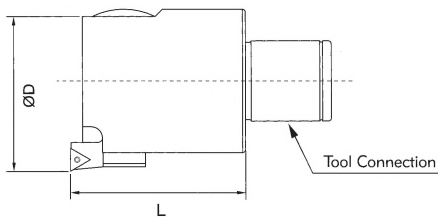


BORING SYSTEM

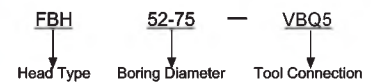


FBB Finish Boring Head

Boring diameter from $\varnothing 20\text{mm}$ to $\varnothing 1250\text{mm}$



Ordering Example



FEATURES:

- FBH finish boring head is suitable for finish boring with working ranges from $\varnothing 20\text{mm}$ to $\varnothing 1250\text{mm}$ on diameter.
- The dial has been graduated into 50 divisions, each of which is 0.01mm on diameter. Available is a sub-dial for finer adjustment.
- High precision internal lead screw with inner lubrication is free from the effects of chip, featuring high durability.
- Coolant nozzle easily cools the insert and prolongs insert's working life.
- Cartridge unit is housed in a square structure with two face support, proving high stability and rigidity.

ORDER NO.	Tool Connection	ØD Boring Range	length	Weight (kg)	Insert/Clamping/Screw	CODE NO.
FBB20	B1070	20-26	35	0.1	TPGH080204/Ø2.7xM2/T6	3320-370
FBB25	B2080	25-33	40	0.2		3320-371
FBB32	B3080	32-42		0.3		3320-372
FBB40	B4070	40-55	50	0.5	TPGH080204/Ø3.2xM2/T6	3320-373
FBB52	B5075	52-75	60	1		3320-374
FBB68	B6065	68-102	70	2		3320-375
FBB100	B6065	100-152		2.9		3320-376
FBB150	B6065	150-202		4.2		3320-377