



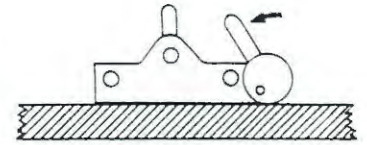
## CAM TYPE

### FEATURES

- Normal operation is not influenced on power off or system breakdown, as there is permanent magnet.
- Cam mechanism, easy operation.
- Ground surface of workpiece may be attracted to be scrap occasionally, please be careful.

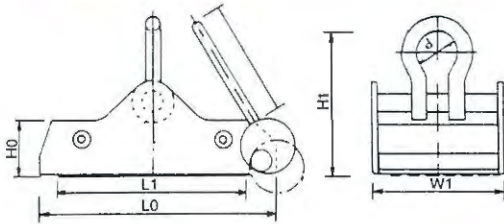
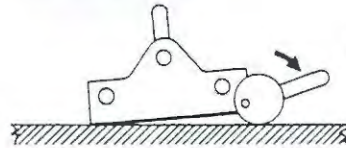
### LOADING

- Take the magnetic table on the workpiece, and move it at the vertical position.



### UNLOADING

- Move the level at the horizontal position, the workpiece will be separated.



- Never operate over human's head.

ORDER NO.	CAPACITY	W1	L1	L0	H0	H1	d	l	NET WEIGHT (KGS)	CODE NO.
VGP-100	1000kg	204	298	366	65	125	50	135	25.8	2018-040
VGP-200	2000kg	330	380	445	65	130	50	135	46.8	2018-041

# Magnetic Holder

## HANDLE TYPE

### FEATURES

- Work is held and released very smoothly.
- Most suitable to move materials or semi-finished products such as black steel plate, flat iron and other materials etc.

### HOLDING POWER

It depends on the attractive face, quality and thickness of material and clearance between the material and magnet.

### MAXIMUM HOLDING POWER

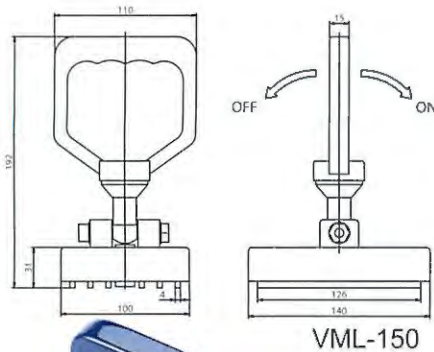
Workpiece must be thick enough and the surface must be free of dust. magnetic attraction is best and with low carbon-soft steels.



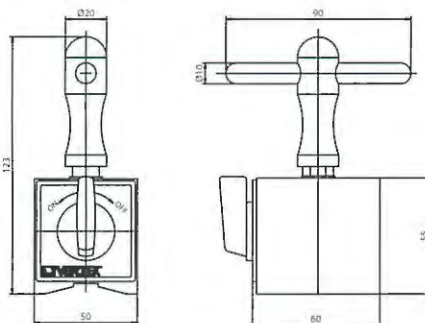
VML-80



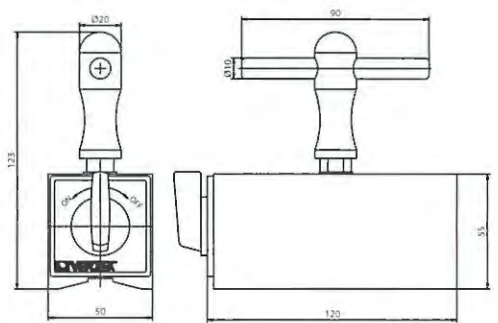
VML-140



VML-150



VML-80



VML-140

Unit:mm

ORDER NO.	CAPACITY	L	W	H	N.W (KGS)	CODE NO.
VML-80	80kgf	60	50	55	1.23	2018-054
VML-140	140kgf	120	50	55	2.2	2018-055
VML-130	130kgf	120	50	55	1.9	2018-053
VML-150	150kgf	140	100	192	2.5	2018-056



VML-150

