

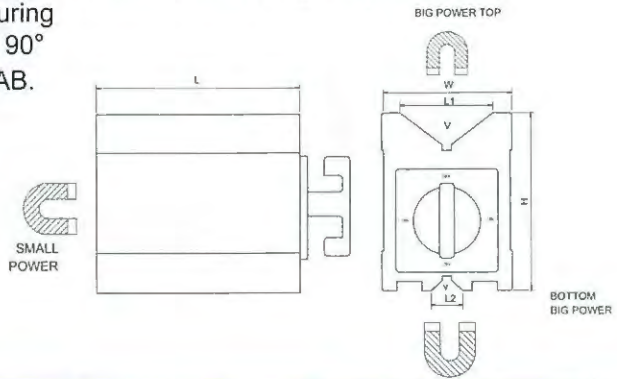
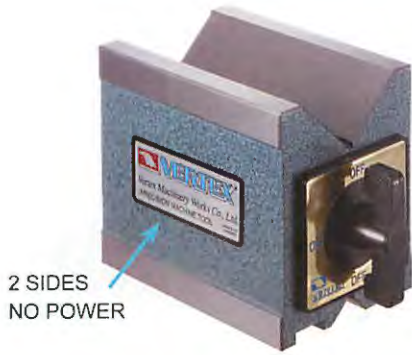


# Magnetic V Block



1 PCS

- For round / square workpiece
- For checking on surface plate during the production.
- For measuring
- V ANGLE 90°
- ※ Not for LAB.



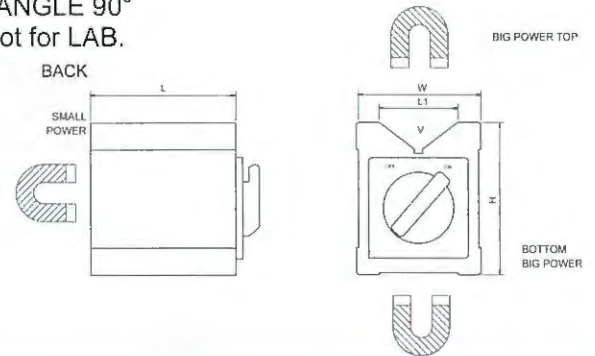
ORDER NO.	Magnetic Power(pull)	V	v	Dimension					Wt. kgs	CODE NO.
				H	W	L	L1	L2		
VCP-25	70kgf	ø7~ø60	ø7~ø25	95.3 3.75"	70 2.76"	101.6 4"	45 1.97"	18 0.75"	3.9	2015-501



# Magnetic V Block

1 PCS

- For round / square workpiece
- For checking on surface plate during the production.
- For measuring
- V ANGLE 90°
- ※ Not for LAB.



ORDER NO.	Magnetic Power(pull)	V	Dimension				Wt. kgs	CODE NO.
			H	W	L	L1		
VCP-26	50kgf	ø8~ø50	73 2.87"	60 2.13"	70 2.76"	37 1.5"	1.8	2015-510
VCP-27	70kgf	ø8~ø50	73 2.87"	60 2.36"	125 4.29"	38 1.5"	3.3	2015-511

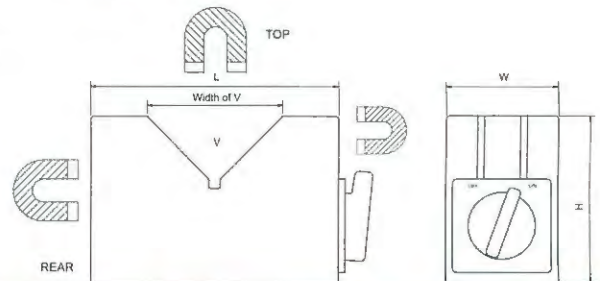
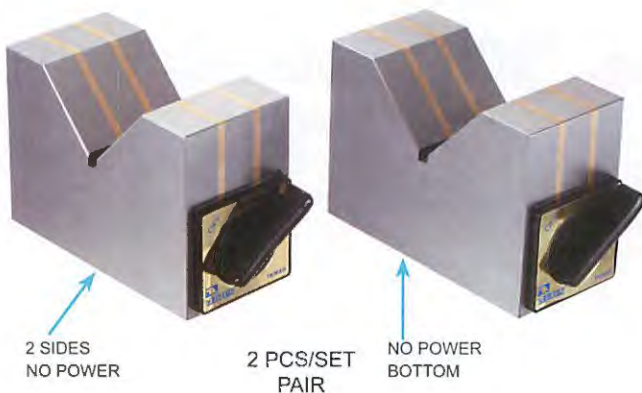


# Magnetic V Block

PAIR

## Magnetic V-Block

- Two pieces finished to the same dimension and accuracy are used together as a set.
- For round / square workpiece
- For checking on surface plate during the production.
- V ANGLE 90°
- ※ Not for LAB.



ORDER NO.	Magnetic Power(pull)	V	Dimension			Width of V	Wt. kgs	CODE NO.
			H	W	L			
VCP-29	17kgf	ø8~ø80	74 2.91"	48 1.77"	110 4.33"	60 2.36"	4.9	2015-521
VCP-30	23kgf	ø8~ø120	100 3.94"	50 1.97"	150 5.91"	90 3.54"	8.9	2015-522