



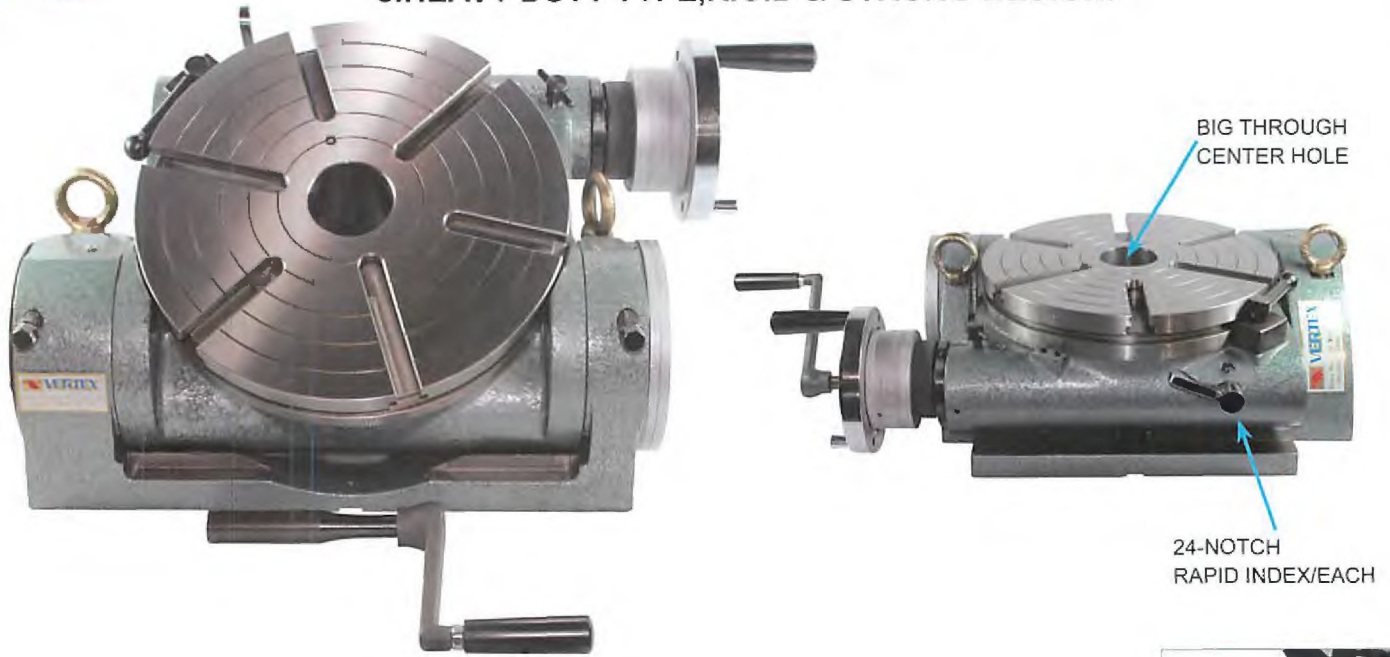
# Multiple Tilting Rotary Table



**NEW**

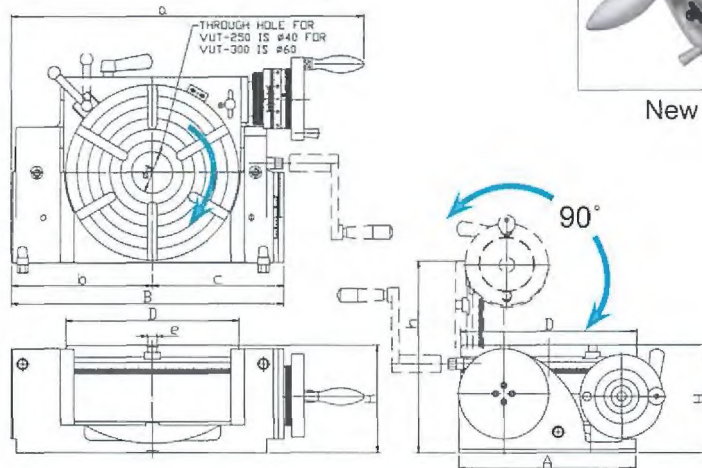
1. BIG THROUGH HOLE DESIGN TYPE 250 IS Ø45, TYPE 300 IS Ø65
2. WITH 15°, 24 DIVISION DIRECT INDEX.
3. HEAVY DUTY TYPE, RIGID & STRONG DESIGN.

ROTARY TABLE



New Model

- The Feature is same as VUT-6, 10, 12 type.
- For the long bar & other work piece need BIGGER BORE size.
- Multiple purpose.
- Fast dividing function : 15° division by handle x 24/360°
- Improve efficiency, save cost.
- Upgrade your millig machine to speed up production.



## Specifications

ORDER NO.	TABLE DIAMETER & TABLE HEIGHT			MOUNTING SURFACE		OVER ALL SIZE			T-SOLT WIDTH	CENTER HOLE	CENTER HEIGHT (Tilted at 90°)	WEIGHT (kgs)	CODE NO.
	D	H	h	A	B	a	b	c	e				
VUT-250	250	155	275	255	397	495	210	187	14	Ø45	150	75.5	1001-015A
VUT-300	300	178	319	300	447	551	235	212	16	Ø65	169	108	1001-016A

**OPTIONAL** : Detail see A3

FLANGE & DP-3



TS-3



## DIVIDING PLATES

ORDER NO.	SUIT FOR MODEL	WEIGHT (kgs)	CODE NO.
DP-3	for VUT-250,VUT-300	4.6	1001-032

## TAILSTOCK

ORDER NO.	Adjustable		SUIT FOR MODEL	G.W. (kgs)	MEAS CFT	CODE NO.
	highest	lowest				
TS-3	205	130	VUT-250,VUT-300	8.1	0.4	1001-024

Unit:mm