



Boring Head Shank C-Type



FOR VBHC-TYPE
AND BC-2, BC-3, BC-4
BORING HEAD

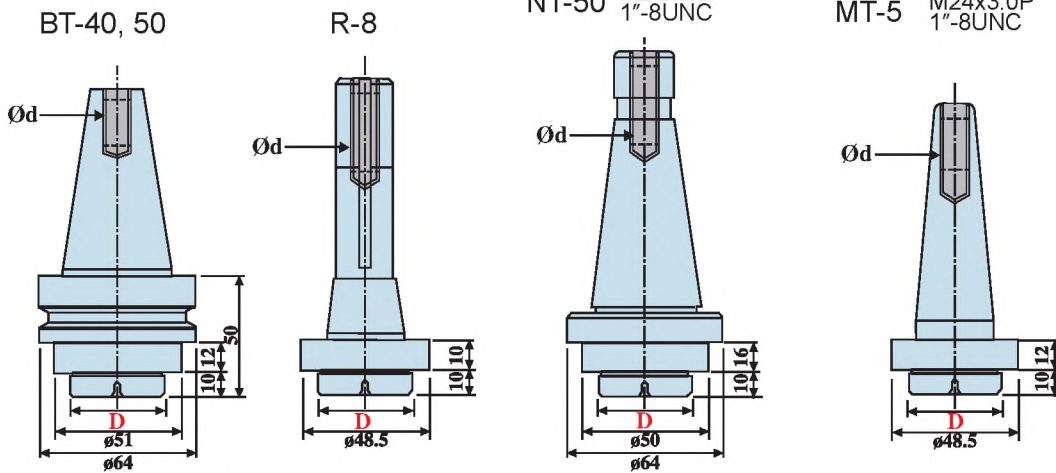


D: 1 1/2"-18UNC

The shanks are made tor for C-type boring head use.
Also it can be replaced from time to time.

Ød

	Ød	MT-2	M10x1.5P 3/8-16NC
NT-30	M12x1.75P 1/2"-12UNC	MT-3	M12x1.75P 3/8"-16UNC
NT-40	M16x2.0P 5/8"-11UNC	MT-4	M16x2.0P 5/8"-11UNC
NT-50	M24x3.0P 1"-8UNC	MT-5	M24x3.0P 1"-8UNC



ORDER NO.	VBC-R8	VBC-NT30	VBC-NT40	VBC-MT2	VBC-MT3	VBC-MT4	VBC-MT5
WEIGHT (KG)	0.4	0.7	1.3	0.39	0.6	0.9	1.6
CODE NO.	3401-210	3401-211	340-212	3401-209	3401-213	3401-214	3401-215

ORDER NO.	VBC-BT40	VBC-BT50	VBC-C20	VBC-SK40	VBC-BT30	VBC-SK50
WEIGHT (KG)	1.4	3.97	0.4	1.28	1.1	1.3
CODE NO.	3401-216	3401-217	3401-219	3401-222	3401-223	3401-224