



Electrode Vise (STAINLESS)



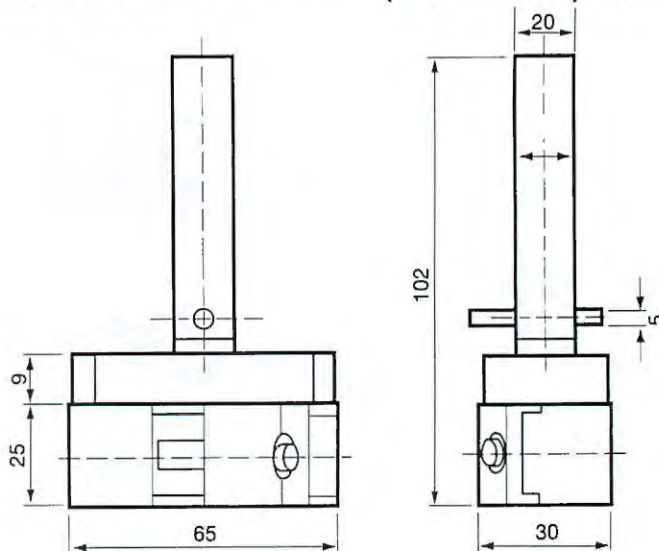
VERTEX[®]

(STAINLESS)FOR EDM

MINI TYPE

JAW OPENING 20mm

JAW WIDTH 25mm



※ Not 100% magnetic proof

Material	SUS440
Parallelism	within 0.003 mm / 100 mm
Squareness	within 0.005 mm / 100 mm
Harden treatment	up to HRC 58°

ORDER NO.	MATERIAL	LENGHT	WIDTH	JAW OPENING	JAW HEIGHT	HARDEN	WEIGHT (kgs)	CODE NO.
VEH-20MS	SUS440	65	25	20	10	HRC 58°	0.7	2008-020

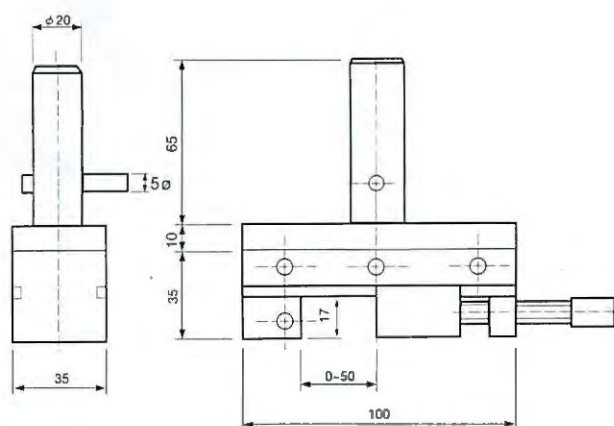


Electrode Vise (STAINLESS)

(STAINLESS)FOR EDM

JAW WIDTH 25mm

JAW OPENING 50mm



※ Not 100% magnetic proof

Material	SUS440
Parallelism	within 0.003 mm / 100 mm
Squareness	within 0.005 mm / 100 mm
Harden treatment	up to HRC 58°

ORDER NO.	MATERIAL	LENGHT	WIDTH	JAW OPENING	JAW HEIGHT	HARDEN	WEIGHT (kgs)	CODE NO.
VEH-20DS	SUS440	100	35	50	17	HRC 58°	1.3	2008-030



Electrode Vise

MINI TYPE
JAW WIDTH 25mm



VERTEX[®]

(ALLOY STEEL) FOR EDM

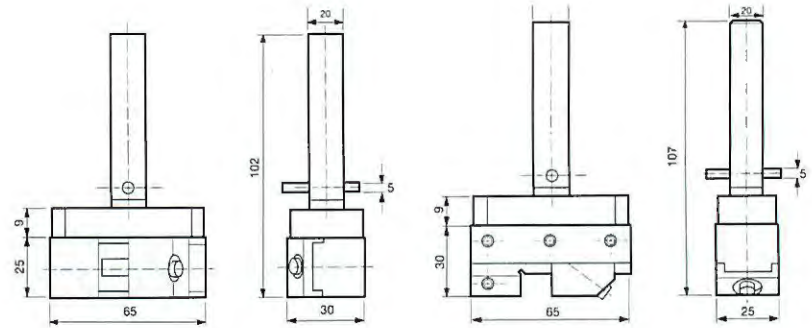
ELECTRODE HOLDERS FOR ELECTRO DISCHARGE MACHINE

Mini vise can be used in fixed electrode holders.

The opening with a cross V groove on the vise can do electric discharging both by vertical way and horizontal way for various-shape workieces.

The max. opening on the vise is 20 mm.

※ Not 100% magnetic proof

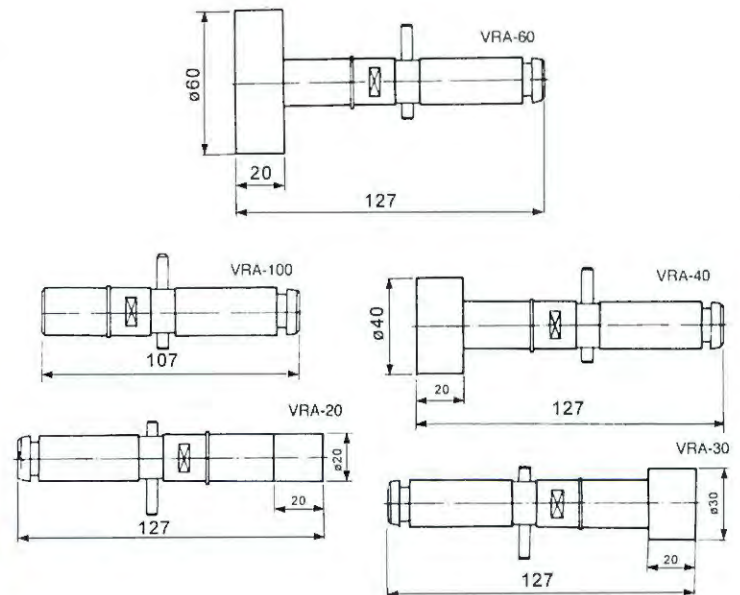


ORDER NO.	MATERIAL	LENGHT	WIDTH	JAW OPENING	JAW HEIGHT	HARDEN	WEIGHT (kgs)	CODE NO.
VEH-20	SKS	65	25	20	10	HRC 58°-60°	0.8	2008-001



Electrode Holder

FOR EDM



ORDER NO.	VRA-20	VRA-30	VRA-40	VRA-60	VRA-100
WEIGHT(KG)	0.2	0.4	0.5	0.9	0.3
CODE NO.	2008-010	2008-011	2008-012	2008-013	2008-014