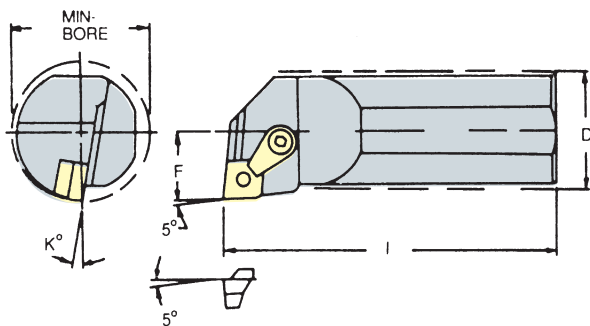






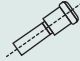
MCLN

95°



RIGHT HAND SHOWN LEFT HAND OPPOSITE



ORDER NO.		INSERT	DIMENSIONS					PARTS				WEIGHT (kg)		CODE NO.	
Righthand	Lefthand		D	F	I	B	K°					Right	Left	Right	Left
S20R-MCLNR12	S20R-MCLNL12	CNMG 12 04 08	20	13	200	25	17°	-	LCS-511	CP50-26	CS7-5018	0.50	0.50	6005-510	6005-610
S25R-MCLNR12	S25R-MCLNL12	CNMG 12 04 08	25	17	200	32	14°	-	LCS-511	CP50-22	CS7-6024	0.95	0.95	6005-511	6005-611
S32S-MCLNR12	S32S-MCLNL12	CNMG 12 04 08	32	22	250	40	14°	SMC-432	LCS-617	CP50-22	CS7-6030	1.60	1.60	6005-512	6005-612
S40T-MCLNR12	S40T-MCLNL12	CNMG 12 04 08	40	27	300	50	12°	SMC-432	LCS-617	CP50-22	CS7-6030	2.90	2.90	6005-513	6005-613
S50U-MCLNR12	S50U-MCLNL12	CNMG 12 04 08	50	35	350	63	12°	SMC-432	LCS-617	CP50-22	CS7-6030	5.90	5.90	6005-514	6005-614