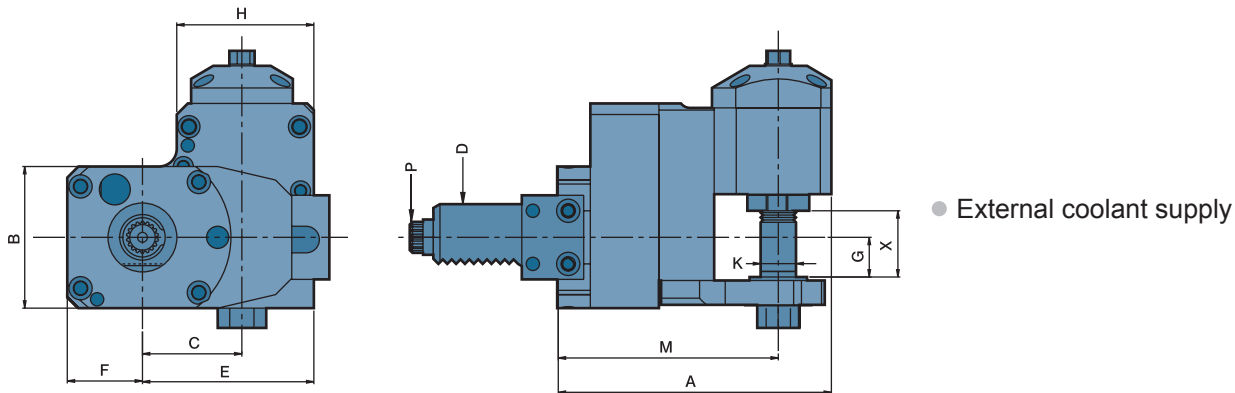




Radial Drilling And Milling Heads

DISK CUTTER UNITS

DIN 5480



DIMENSIONS

ORDER NO.	D DIN 69880	X Capacity	Maximum R.P.M.	i	A	B	C	E	F	G	H	K	M	P DIN 5480	CODE NO.
BR30548016C/3 BL30548016C/3	30	16	3000	3 : 1	133	64	45	77.5	49	5	65	16	108.5	W16X0.8	5006-060