



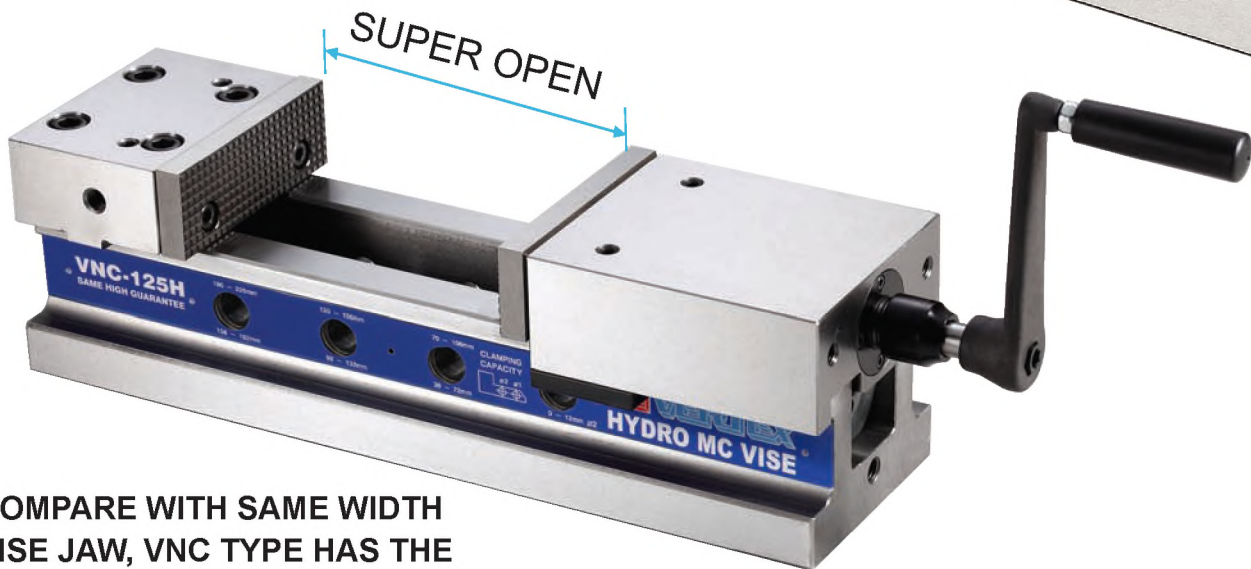
NC Hydro Machine Vices

PATENT

SAME HEIGHT GUARANTEE



NEW



COMPARE WITH SAME WIDTH VISE JAW, VNC TYPE HAS THE BIGGEST OPENING CAPACITY.

Features

- Hydro-booster system for maximum clamping pressure with minimum force.
- Sliding bed ways flame hardened and ground.
- Compact design. Great clamping capacity. Light & smooth operation.
- Body is made of FCD60 ductile cast iron, High deflection/bending resistant.
- Constructed for machining center, milling, drilling, grinding and many other machine shop applications.
- Hydro line - one scale indicate about 1/3 of the max. clamp force.





NC Hydro Machine Vices

PATENT

SAME HEIGHT GUARANTEE

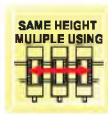
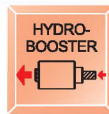
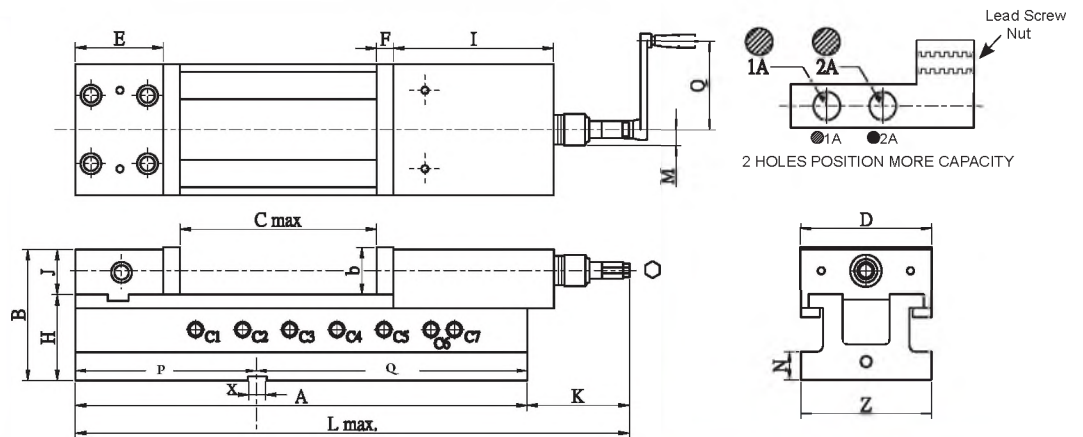


NC HYDRO MACHINE VISE



Hydraulic controller:
provide stable pressure,
Hydro indexer. Protect the hydro system.
Hydro limit proof reference scale.
Screw shaft broken proof.

Accessories:



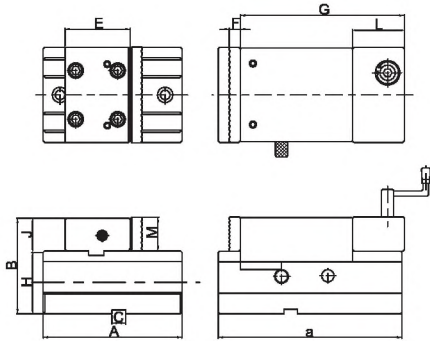
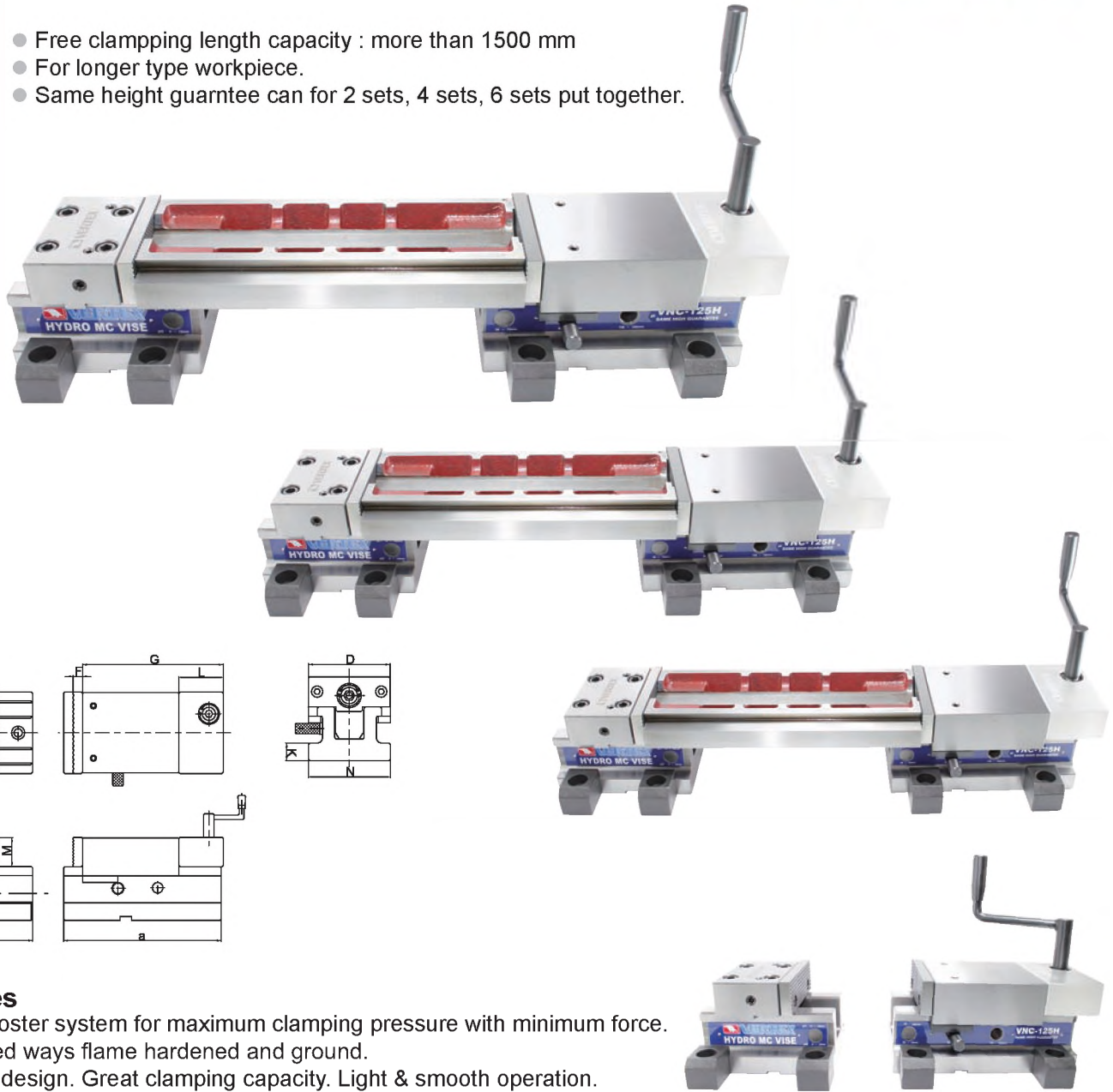
ORDER NO.	C MAX. Open	MAX. Clamping Force KN	L MAX. mm	C Lock Pin Hole Position For Opening Jaw Size (Clamping Size Capacity)							
				Lead Screw Nut	C1	C2	C3	C4	C5	C6	C7
VNC-100H	205	25	464	●1A	2-30	57-90	115-146	173-205	-	-	-
				●2A	0-3	28-60	86-116	145-175	-	-	-
VNC-125H	225	40	556	●1A	10-46	70-106	130-166	190-225	-	-	-
				●2A	0-12	38-72	98-132	158-192	-	-	-
VNC-160H	310	50	684	●1A	13-70	93-150	173-230	253-310	-	-	-
				●2A	0-30	53-110	133-190	213-270	-	-	-
VNC-160LH	510	50	884	●1A	13-70	93-150	173-230	253-310	333-390	410-470	450-510
				●2A	0-30	53-110	133-190	213-270	293-350	370-430	410-470

ORDER NO.	A	B	D	E	F	b	H	J	N	I	Z	X	P	Q	Weight (kgs)	CODE NO.
VNC-100H	380	107	100	67	13	38	70	37	24	133	100	14	152	228	23	4005-100
VNC-125H	432	126	124	85	15	45	82	44	27	147	125	18	174	258	37	4005-101
VNC-160H	550	148	159	102	18	54	95	53	27	189	160	18	219	331	63	4005-102
VNC-160LH	750	148	159	102	18	54	95	53	27	189	160	18	219	531	77	4005-103

Combination MC Power Free Vise

NEW

- Free clamping length capacity : more than 1500 mm
- For longer type workpiece.
- Same height guarantee can for 2 sets, 4 sets, 6 sets put together.



Features

- Hydro-booster system for maximum clamping pressure with minimum force.
- Sliding bed ways flame hardened and ground.
- Compact design. Great clamping capacity. Light & smooth operation.
- Body is made of FCD60 ductile cast iron, High deflection/bending resistant.
- Constructed for machining center, milling, drilling, grinding and many other machine shop applications.
- Free setting style.
- Handle : horizontal & vertical.
- Allow to clamp longer workpiece.



ORDER NO.	A	a	B	C	D	E	F	G	H	J	K	L	M	N	Weight kgs
VNC-100FV	150	228	103	14	99	67	13	133	70	33	24	76	34	100	19
VNC-125FV	180	250	126	18	124	85	15	147	82	44	27	78	45	125	37
VNC-160FV	200	280	148	18	159	102	18	189	95	53	27	90	54	160	63

ORDER NO.	JAW WIDTH	JAW HEIGHT	BASE HEIGHT	GUIDE BLOCK	JAW STROKE	MAX CLAMPING FORCE(KN)	CODE NO.
VNC-100FV	100	38	70	14	90	20	4005-106
VNC-125FV	125	45	82	18	106	30	4005-107
VNC-160FV	160	54	95	18	150	40	4005-108