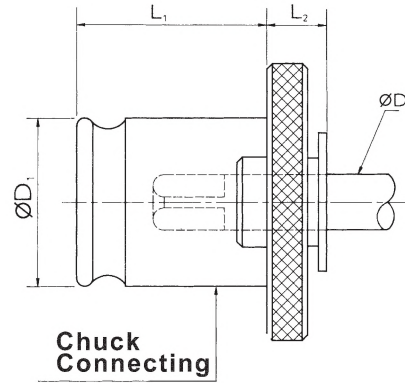




Quick Change Tapping Collet



QUICK CHANGE TAP COLLETS



TAPPING CHUCKS

JIS SYSTEM SIZE

1PC ≅ 0.08kg

Size	Thread	Tap Shank		ØD1	L1	L2	ORDER NO.	CODE NO.	ØD x □ Same JIS inch or mm
		ØD	□						
TC312B (#1)	M3	4	3.2	Suit for DIA. 19	21.5	7	312B-01	3404-300	W1/8"
	M4	5	4				312B-02	3404-301	M4.5
	M5	5.5	4.5				312B-03	3404-302	M5.5, W3/16"
	M6	6	4.5				312B-04	3404-303	W1/4", UNC1/4"
	UNC 5/16	6.1	5				312B-05	3404-304	
	M7/M8	6.2	5				312B-06	3404-305	
	M9/M10	7	5.5				312B-07	3404-306	W3/8", UNC3/8"
	M11	8	6				312B-08	3404-307	W7/16", PT1/8", PS1/8", PF1/8", UNC7/16"
	M12	8.5	6.5				312B-09	3404-308	
	UNC 1/2	9	7				312B-10	3404-309	W1/2"
	M14	10.5	8				312B-11	3404-310	M15, W9/16"
	PT 1/4	11	9				312B-12	3404-311	PS1/4", PF1/4"

1PC ≅ 0.28kg

Size	Thread	Tap Shank		ØD1	L1	L2	ORDER NO.	CODE NO.	ØD x □ Same JIS inch or mm
		ØD	□						
TC820B (#2)	M7/M8	6.2	5	Suit for DIA. 31	35	11	820B-01	3404-330	
	M9/M10	7	5.5				820B-02	3404-331	W3/8", UNC3/8"
	M11	8	6				820B-03	3404-332	W7/16", UNC7/16", PT1/8", PS1/8", PF1/8"
	M12	8.5	6.5				820B-04	3404-333	
	UNC 1/2	9	7				820B-05	3404-334	W1/2"
	M14	10.5	8				820B-06	3404-335	M15, W9/16", UNC9/16"
	PT 1/4	11	9				820B-07	3404-336	PS1/4", PF1/4"
	UNC 5/8	12	9				820B-08	3404-337	W5/8"
	M16	12.5	10				820B-09	3404-338	
	M17	13	10				820B-10	3404-339	
	M18	14	11				820B-11	3404-340	W3/4", PT3/8", PS3/8", PF3/8", UNC3/4"
	M20	15	12				820B-12	3404-341	
	M22	17	13				820B-13	3404-342	W7/8", UNC7/8"
	PT 1/2	18	14				820B-14	3404-343	PS1/2", PF1/2"

1PC ≅ 0.8kg

Size	Thread	Tap Shank		ØD1	L1	L2	ORDER NO.	CODE NO.	ØD x □ Same JIS inch or mm
		ØD	□						
TC1433B (#3)	M14/M15	10.5	8	Suit for DIA. 48	55.5	14	1433B-01	3404-360	W9/16", UNC9/16"
	PT 1/4	11	9				1433B-02	3404-361	
	UNC 5/8	12	9				1433B-03	3404-362	
	M16	12.5	10				1433B-04	3404-363	
	M17	13	10				1433B-05	3404-364	
	M18	14	11				1433B-06	3404-365	W3/4", UNC3/4", PT3/8", PS3/8", PF3/8"
	M20	15	12				1433B-07	3404-366	
	M22	17	13				1433B-08	3404-367	W7/8", UNC7/8"
	PT 1/2	18	14				1433B-09	3404-368	
	M24/M25	19	15				1433B-10	3404-369	PF5/8"
	M26/M27	20	15				1433B-11	3404-370	W1", UNC1"
	M28	21	17				1433B-12	3404-371	
	UNC 1 1/8	22	17				1433B-13	3404-372	
	M30	22	18				1433B-14	3404-373	PT3/4", PS3/4", PF3/4"
	M32	24	19				1433B-15	3404-374	W1-1/4", PF7/8", UNC1-1/4"
	M33	25	20				1433B-16	3404-375	
	M34/M35	26	21				1433B-17	3404-376	W1-3/8", PT1", PS1", PF1", UNC1-3/8"
	M36	28	22				1433B-18	3404-377	PS1-1/8", PF1-1/8"