



High Speed Live Center

NEW

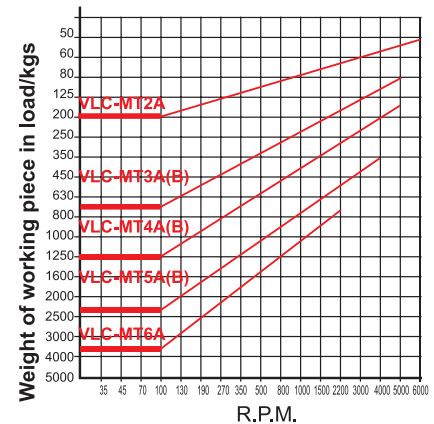
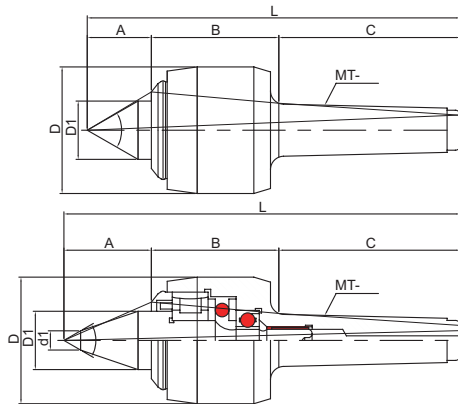
EURO STYLE



A TYPE



B TYPE



- Suit for to CNC lathes, can be used at high speed turning and with waterproof design.
 - The shaft is made of alloy steel and through vacuum heat treatment HRC 60°±2°. It has high rigidity and high durability.
 - The center uses the combination of roller bearing, thrust ball bearing and ball bearing.
- ※B Type is applicable in the metal workings on small workpieces.

※Suggested tailstock pressure under 6 kg/cm²

Unit:mm

ORDER NO.	TYPE	A	B	C	D	D1	L	d1	Accuracy	Speed Max. R.P.M	θ	G.W. weight	PACKING L x W x H	CODE NO.
VLC-512	MT2A	20	46	69	32	13	135	-	0.003	6000	60°	0.8	240x70x61	5001-062
VLC-513	MT3A	34	61	86	58	25	181	-	0.003	5200	60°	1.8	253x92x80	5001-063
VLC-514	MT4A	44	67	114	76	35	225	-	0.003	5000	60°	3.2	290x92x80	5001-064
VLC-515	MT5A	55	88	142	95	45	285	-	0.003	3500	60°	5.6	303x108x101	5001-065
VLC-513B	MT3B	45	61	86	58	25	192	10	0.003	5200	60°	1.8	290x92x80	5001-067
VLC-514B	MT4B	55	67	114	76	35	236	12	0.003	5000	60°	3.2	253x92x80	5001-068
VLC-515B	MT5B	67	88	142	95	45	297	14	0.003	3500	60°	6.0	303x108x101	5001-069