

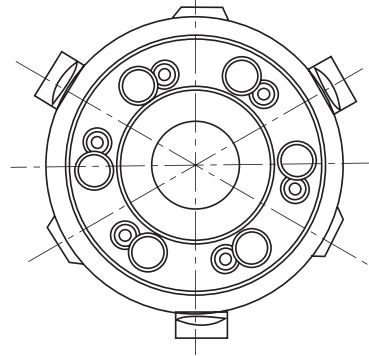


3-Jaw Powerful Camlock Type Self-Centering Chuck

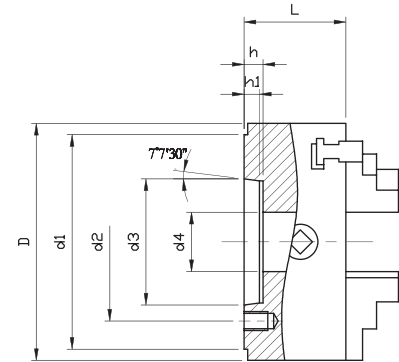
NEW



SAMPLE



Ød4	
D1-5	82.563
D1-6	106.375
D1-8	106.375
D1-11	106.357



SPECIFICATIONS

ORDER NO.	D	MOUNTING TYPE	d1	d2	d3	d4	L	H1	h	THREAD	WEIGHT (kgs)	CODE NO.
VSKC-6A	160	D5	40	104.8	146	82.563	12	73	15	6-M12x1.0P	10	5002-111
VSKC-8A	200	D6	50	133.4	181	106.375	13	86	16	6-M16x1.5P	17	5002-112
VSKC-10A	250	D6	70	133.4	181	106.375	13	98	16	6-M16x1.5P	32	5002-113
VSKC-12A	315	D6	100	133.4	181	106.375	13	103.5	16	6-M16x1.5P	49	5002-114