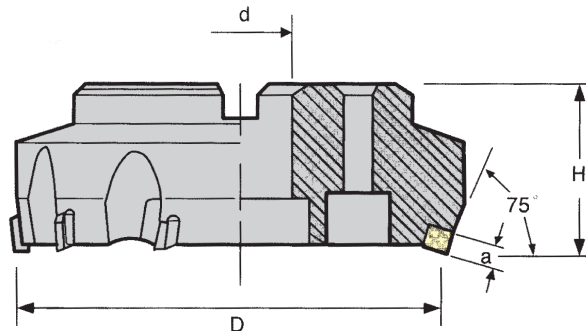




# Face Milling Cutter 75°



# 75°



ORDER NO.	D	dØ	INCH METRIC	H	BLADE	WEIGHT(kg)	CODE NO.
FP-3	80	25.4	27	50	5	2	6001-090I
							6001-090M
FP-4	100	31.75	32	55	6	3.1	6001-091I
							6001-091M
FP-5	125	38.1	40	60	8	5.3	6001-092I
							6001-092M
FP-6	160	50.8	40	60	10	6.5	6001-093I
							6001-093M
FP-8	200	47.625	60	60	12	9.6	6001-094I
							6001-094M
FP-10	250	47.625	60	60	16	17.1	6001-095I
							6001-095M
FP-12	300	47.625	60	60	20	29.3	6001-096I
							6001-096M

INSERT	PARTS				
SPUN-120308 SPKN-120 3 1203EDR					
	SCR-CL5/16	CL-S	SCR-ST-S4	ST-S	WRN-M4T