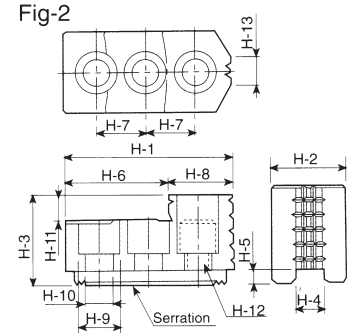
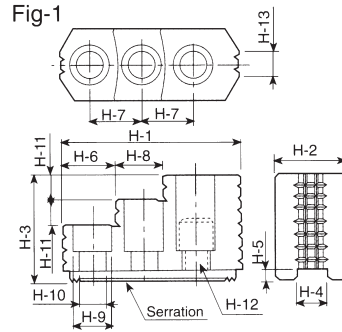




Hard Jaws For Hydraulic Power Chucks



DIMENSIONS

Unit:mm

ORDER NO.	Dim	H-1	H-2	H-3	H-4	H-5	H-6	H-7	H-8	H-9	H-10	H-11	H-12	H-13	Serration Pitch	Matching Chuck	3-Jaw Weight (kgs)	CODE NO.	
HJ05		53	23	27.5	10	4	30.5	14	22.5	13.5	8.5	10	M8	6	1.5x60°	Fig-2	N-205	0.4	5002-401
HJ06		67.5	31	35	12	5	39.5	20	27.5	17	11	12	M10	16	1.5x60°	Fig-2	N-206.V-206	1.0	5002-402
HJ08		86	35	51	14	5	31	25	18	19	13	12	M12	12	1.5x60°	Fig-1	N-208.V-208	1.9	5002-403
HJ10		99.5	40	54	16	5	43	30	17	19	13	13	M12	15	1.5x60°	Fig-1	N-210.V-210	2.9	5002-404
HJ12		103	50	52	21	4	62.5	30	40.5	25	17	17	M16	30	1.5x60°	Fig-2	N-212	2.65	5002-405
HJ12-1		103	50	52	18	5	62.5	30	40.5	22	15	17	M14	30	1.5x60°	Fig-2	V-212	2.7	5002-406
HJ15		149	62	86	22	8	63	43	34	32	21	20	M20	40	1.5x60°	Fig-1	N-215	9.6	5002-407
HJ15-1		149	62	86	25.5	5	63	43	34	32	21	20	M20	40	1.5x60°	Fig-1	V-215	9.5	5002-408