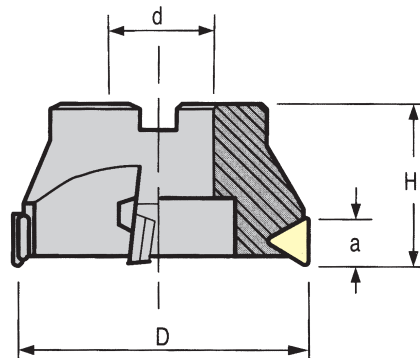




Face Milling Cutter 90°

90°



※ All inserts are floating price.
Contact us before ordering from F1~F49

MILLING CUTTER

ORDER NO.	D	dØ	INCH METRIC	H	a	BLADE	WEIGHT(kg)	INSERT					CODE NO.	
TP-63	63	25.4	27	50	22	3	0.7	TPMN 2204	ST-T	SCR-W5/16	WRN-M5T	SCR-ST-T4	6001-110I	
		6001-110M												
TP-80	80	25.4	27	50	22	4	1.1		ST-T	SCR-W5/16	WRN-M5T	SCR-ST-T4	6001-111I	
		6001-111M												
TP-100	100	31.75	32	55	22	5	1.9		ST-T	SCR-W5/16	WRN-M5T	SCR-ST-T4	6001-112I	
		6001-112M												
TP-125	125	38.1	40	60	22	6	3		ST-T	SCR-W5/16	WRN-M5T	SCR-ST-T4	6001-113I	
		6001-113M												
TP-160	160	50.8	40	60	22	7	4.9		TPKN 2204PPR	ST-T	SCR-W5/16	WRN-M5T	SCR-ST-T4	6001-114I
		6001-114M												
TP-200	200	47.625	60	60	22	8	8.1			ST-T	SCR-W5/16	WRN-M5T	SCR-ST-T4	6001-115I
		6001-115M												
TP-250	250	47.625	60	60	22	9	15.9	ST-T		SCR-W5/16	WRN-M5T	SCR-ST-T4	6001-116I	
		6001-116M												
TP-300	300	47.625	60	60	22	10	28	ST-T	SCR-W5/16	WRN-M5T	SCR-ST-T4	6001-117I		
		6001-117M												