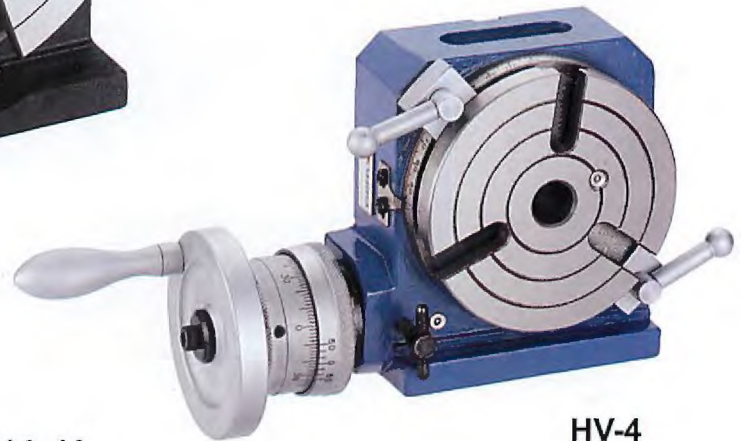




Horizontal / Vertical Rotary Table VERTEX®

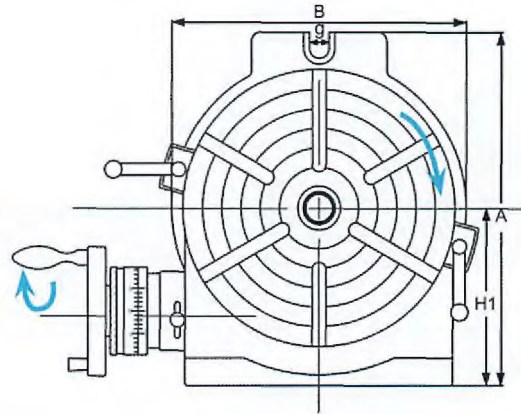
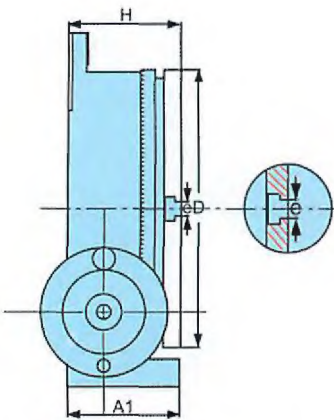


New Model



HV-4

HV-6, 8, 10, 12, 14, 16



| SPECIFICATIONS | HV-4,6 | HV-8,10,12,14,16 |
|--------------------------------|--------|------------------|
| Degree per one handle rotation | 4° | 4° |
| Scale of micro collar | 2' | 1' |
| vernier reading | 20" | 10" |
| Gear ratio | 1:90 | 1:90 |

Specifications

| ORDER NO. | Table | | | Base dimension | | Width of T-slot | | Bolt slots | The Load Capacity For Rotary Table | | Center sleeve | Gross Weight(kg) | | Meas. CFT | CODE NO. | | |
|-----------|----------------|--------|-----|----------------|-----|-----------------|----|------------|------------------------------------|---------|---------------|------------------|----------|--------------|----------|----------------|-----------|
| | Outer diameter | Height | H | H1 | A | B | e | | Type | g | | Horizontal | Vertical | | | wooden case(W) | Carton(C) |
| | A1 | D | | | | | | | | | | | | | | N.W. | G.W. |
| HV-4 | 58 | 110 | 72 | 80 | 138 | 118 | 11 | ⊕ | 17 | 35 KGS | 18 KGS | MT-2 | 7KGS | 7.5KGS (C) | 0.3 | 1001-000 | |
| HV-6 | 78 | 150 | 80 | 102 | 205 | 163 | 11 | ⊕ | 17 | 40 KGS | 20 KGS | MT-2 | 12.1KGS | 12.7KGS (C) | 0.4 | 1001-001 | |
| HV-8 | 100 | 205 | 102 | 135 | 265 | 219 | 14 | ⊕ | 17 | 80 KGS | 40 KGS | MT-3 | 24.7KGS | 26.2KGS (C) | 0.8 | 1001-002 | |
| HV-10 | 106 | 254 | 109 | 163 | 321 | 276 | 14 | ⊗ | 17 | 90 KGS | 50 KGS | MT-3 | 35.5KGS | 37.3KGS (C) | 2 | 1001-003 | |
| HV-12 | 123 | 305 | 125 | 194 | 388 | 330 | 16 | ⊗ | 18 | 120 KGS | 60 KGS | MT-4 | 58.7KGS | 69.8KGS (W) | 2.6 | 1001-004 | |
| HV-14 | 123 | 353 | 125 | 225 | 445 | 389 | 16 | ⊗ | 18 | 130 KGS | 70 KGS | MT-4 | 76.61KGS | 90.3KGS (W) | 3.2 | 1001-005 | |
| HV-16 | 128 | 406 | 130 | 255 | 500 | 435 | 16 | ⊗ | 18 | 140 KGS | 70 KGS | MT-4 | 106.4KGS | 123.1KGS (W) | 4.2 | 1001-006 | |