



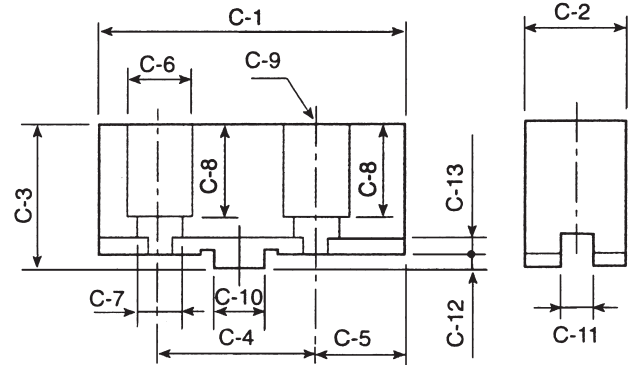
# Soft Jaw For SK-Type Chuck



1. Soft jaw for SK-type chuck. 2. Manufactured in specification  
Can for Japanese brand 3 jaw chuck KITAGAWA, HOWA, VICTOR



3 PCS/SET



Unit:mm

Dim ORDER NO.	C-1	C-2	C-3	C-4	C-5	C-6	C-7	C-8	C-9	C-10	C-11	C-12	C-13	Weight (kgs)	CODE NO.
VSJ-4	52	19	30	24	14	11	7	21	M6	9.53	7.94	2.5	3	0.45	5002-298
VSJ-5	62	24	35	32	15	14	9	24	M8	12.68	7.94	3	3.5	0.9	5002-299
VSJ-6	75	26	38	38.1	18	14	8.5	27	M8	12.68	7.94	3	3.5	1.3	5002-300
VSJ-7	95	31	48	44.45	25	17	11	35	M10	12.68	7.94	3	3.5	3.4	5002-301
VSJ-8	95	31	48	44.45	25	17	11	35	M10	12.68	7.94	3	3.5	2.7	5002-302
VSJ-9	110	37	48	53.98	28	19	13	36	M12	19.03	12.7	3	3.5	3.7	5002-303
VSJ-10	110	37	48	53.98	28	19	13	36	M12	19.03	12.7	3	3.5	3.7	5002-304
VSJ-12	125	40	54	63.5	32	19	13	40.5	M12	19.03	12.7	3	3.5	5.3	5002-305
VSJ-16	160	50	70	76.2	42	25	17	48	M16	19.03	12.7	6	5.5	10.6	5002-306

## THE SPECIAL OF HEIGHT (C-3) FOR VSJ-TYPE IS AVAILABLE

ORDER NO.	MODEL	HEIGHT	CODE NO.
VSJ-6-5	VSJ-6	50H	5002-3005
VSJ-6-6	VSJ-6	60H	5002-3006
VSJ-6-7	VSJ-6	70H	5002-3007
VSJ-6-8	VSJ-6	80H	5002-3008
VSJ-6-9	VSJ-6	90H	5002-3009
VSJ-8-5	VSJ-7 VSJ-8	50H	5002-3025
VSJ-8-6	VSJ-7 VSJ-8	60H	5002-3026
VSJ-8-7	VSJ-7 VSJ-8	70H	5002-3027
VSJ-8-8	VSJ-7 VSJ-8	80H	5002-3028
VSJ-8-9	VSJ-7 VSJ-8	90H	5002-3029
VSJ-9-5	VSJ-9	50H	5002-3035
VSJ-9-6	VSJ-9	60H	5002-3036
VSJ-9-7	VSJ-9	70H	5002-3037
VSJ-9-8	VSJ-9	80H	5002-3038
VSJ-9-9	VSJ-9	90H	5002-3039
VSJ-9-10	VSJ-9	100H	5002-30310
VSJ-9-12	VSJ-9	120H	5002-30312

ORDER NO.	MODEL	HEIGHT	CODE NO.
VSJ-10-5	VSJ-10	50H	5002-3045
VSJ-10-6	VSJ-10	60H	5002-3046
VSJ-10-7	VSJ-10	70H	5002-3047
VSJ-10-8	VSJ-10	80H	5002-3048
VSJ-10-9	VSJ-10	90H	5002-3049
VSJ-10-10	VSJ-10	100H	5002-30410
VSJ-10-12	VSJ-10	120H	5002-30412
VSJ-10-13	VSJ-10	130H	5002-30413
VSJ-12-6	VSJ-12	60H	5002-3056
VSJ-12-7	VSJ-12	70H	5002-3057
VSJ-12-8	VSJ-12	80H	5002-3058
VSJ-12-9	VSJ-12	90H	5002-3059
VSJ-12-10	VSJ-12	100H	5002-30510
VSJ-12-12	VSJ-12	120H	5002-30512
VSJ-12-13	VSJ-12	130H	5002-30513
VSJ-12-15	VSJ-12	150H	5002-30515
VSJ-16-10	VSJ-16	100H	5002-30610
VSJ-16-12	VSJ-16	120H	5002-30612

POWER CHUCK