

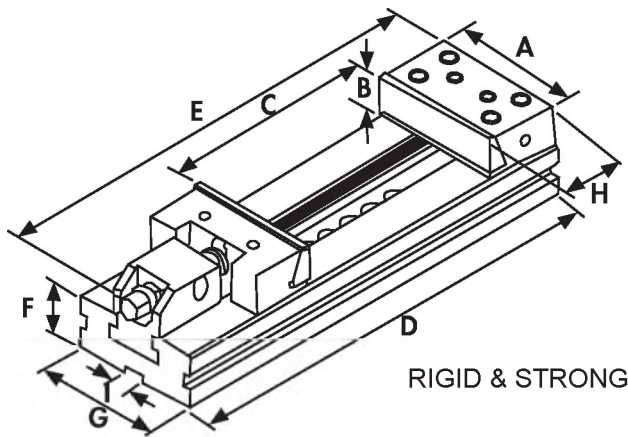


Modular Precision Machine Vise



SAME HEIGHT GUARANTEE

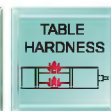
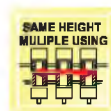
MACHINE VISE



RIGID & STRONG

Features

- High Accuracy 0.01/100 mm
- Unlimited Clamping Range
- High Quality Alloy Steel with HRC 59
- High Clamping Pressure
- EACH ONE IS SAME AS HEIGHT.
- CAN BE USED IN MULTIPLE STYLE.
- No Length of Height Limitation
- No Jaw Lift
- Low Profile
- All Vises are Matched parallelism $\pm 0.01/100$ mm
- Optional : Swivel base



ORDER NO.	VMP -4	VMP -5	VMP -6	VMP -6B	VMP -6C	VMP -7A	VMP -7B	VMP -7C	VMP -8A	VMP -8B	VMP -8C	VMP -8D
A	100	125	150	150	150	175	175	175	200	200	200	200
B	30	40	50	50	50	60	60	60	65	65	65	65
C OPEN	100	150	200	300	400	200	300	400	200	300	400	500
D	270	345	420	520	620	455	555	655	573	595	695	795
E	325	360	530	600	700	620	620	620	718	718	718	880
F	35	40	50	50	50	58	58	58	70	70	70	70
G	75	96	125	125	125	145	145	145	170	170	170	170
H	78	78	90	89.4	89.4	97	97	97	114	114	114	113.4
I	16	16	16	16	16	16	16	16	16	16	16	16
Max. Clamp Force (kgf)	900	1300	2000	2000	2000	2000	2000	2000	2000	2000	2000	2000
KGS	9.2	16	28.5	34.8	38.1	43.7	48.3	53.5	66.3	73.2	81.3	87.2
CODE NO.	1002-190	1002-191	1002-192	1002-201	1002-202	1002-193	1002-194	1002-195	1002-196	1002-197	1002-198	1002-203



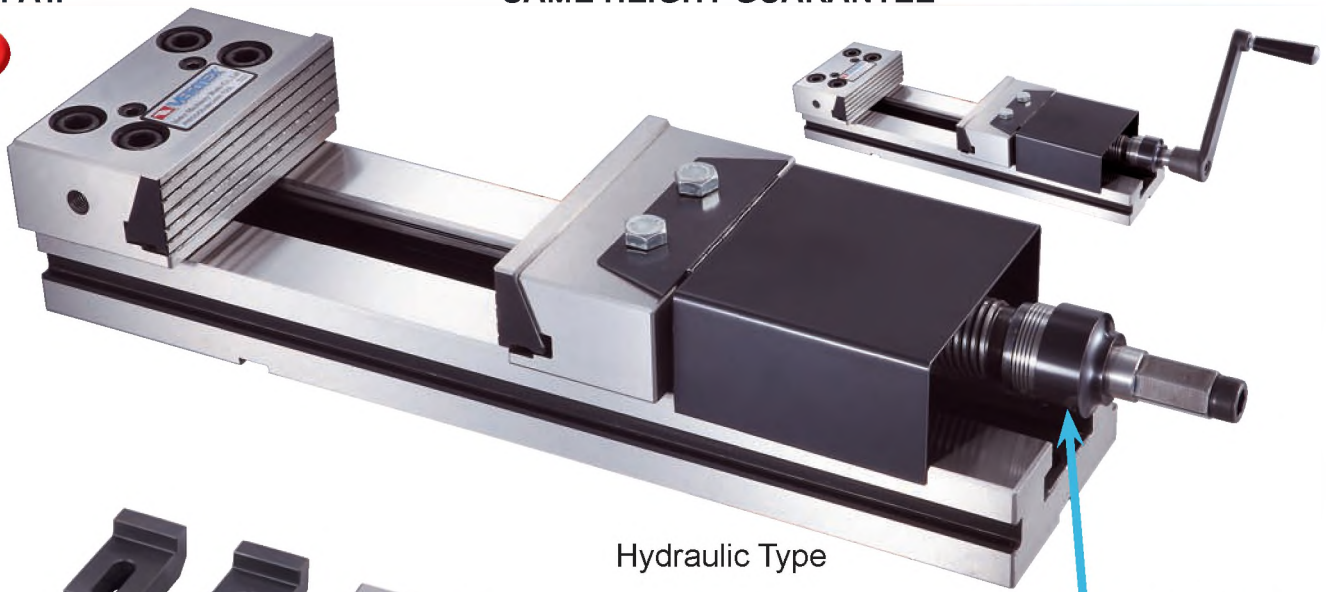
Modular Precision Hydraulic Machine Vise



PAT.

SAME HEIGHT GUARANTEE

NEW

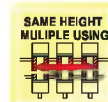
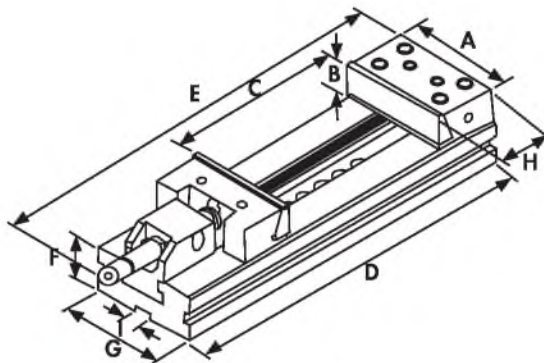


Hydraulic Type

Hydraulic Control Unit

Features

- New design: Adjustable pressure device.
- Suit for processing of brass, AL, plastic, steel.
- New design: super open jaw size, smallest open jaw size.
- lock proof system: prevent wrong clamping force sticks the vise.
- Hydraulic clamping force 4500kg for heavy duty cutting. The screw mechanism type clamping force is 2200 kgs
- Smooth & light operation for the handle.
- High accuracy 0.01/100 mm
- Unlimited clamping range
- High quality alloy steel with HRC 59
- High clamping pressure
- Each one is same as height.
- Can be used in multiple style.
- No length of height limitation
- No jaw lift
- Low profile, strong & rigid.
- All vises are matched parallelism $\pm 0.01/100$ mm



ORDER NO.	VMP -6BH	VMP -6CH	VMP -7AH	VMP -7BH	VMP -7CH	VMP -8AH	VMP -8BH	VMP -8CH	VMP -8DH
A	150	150	175	175	175	200	200	200	200
B	50	50	60	60	60	65	65	65	65
C OPEN	300	400	200	300	400	200	300	400	500
D	520	620	455	555	655	573	595	695	795
E	700	800	635	735	835	738	760	860	960
F	50	50	58	58	58	70	70	70	70
G	125	125	145	145	145	170	170	170	170
H	89.4	89.4	97	97	97	114	114	114	113.4
I	16	16	16	16	16	16	16	16	16
Max. Clamp Force (kgf)	4500	4500	4500	4500	4500	4500	4500	4500	4500
KGS	29	33	38	43	48	65	69	74	90
CODE NO.	1002-201H	1002-202H	1002-193H	1002-194H	1002-195H	1002-196H	1002-197H	1002-198H	1002-203H