

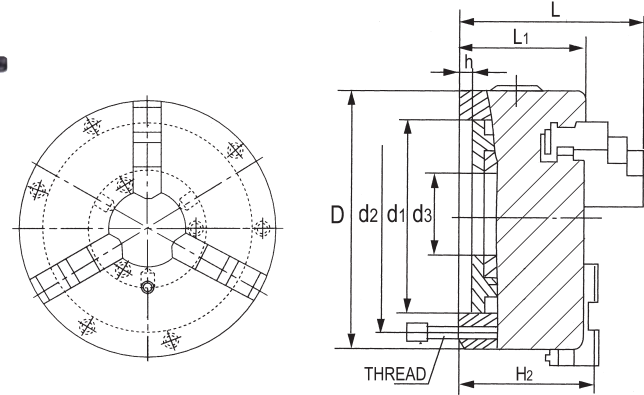


DIN-Type 3-Jaw Self-Centering Chucks



VERTEX®

SIMILAR DIN6350



It have front mounting type as well.

SPECIFICATIONS

Unit:mm

ORDER NO.	D	d1	d2	d3	L	L1	h	THREAD	R.P.M. MAX SPEED	GRIPPING RANGE		WEIGHT (kgs)	CODE NO.
										O.D. RANGE	I.D. RANGE		
VSC-3D	80	56	67	16	66.5	50	4	3-M6	4000	Ø2-Ø70	Ø22-Ø63	1.9	5002-215
VSC-4D	100	70	83	22	74.5	55	3	3-M8	3500	Ø2-Ø90	Ø30-Ø80	3.3	5002-216
VSC-5D	125	95	108	30	84.5	58	4	3-M8	3000	Ø2.5-Ø125	Ø38-Ø110	5.2	5002-217
VSC-6D	160	125	140	45	94	65	5	6-M10	2500	Ø3-Ø160	Ø55-Ø145	9.1	5002-218
VSC-8D	200	160	176	65	109	75	5	6-M10	2500	Ø4-Ø200	Ø65-Ø200	16	5002-219
VSC-10D	250	200	224	80	120	80	5	6-M12	1600	Ø6-Ø250	Ø90-Ø250	27.5	5002-219A