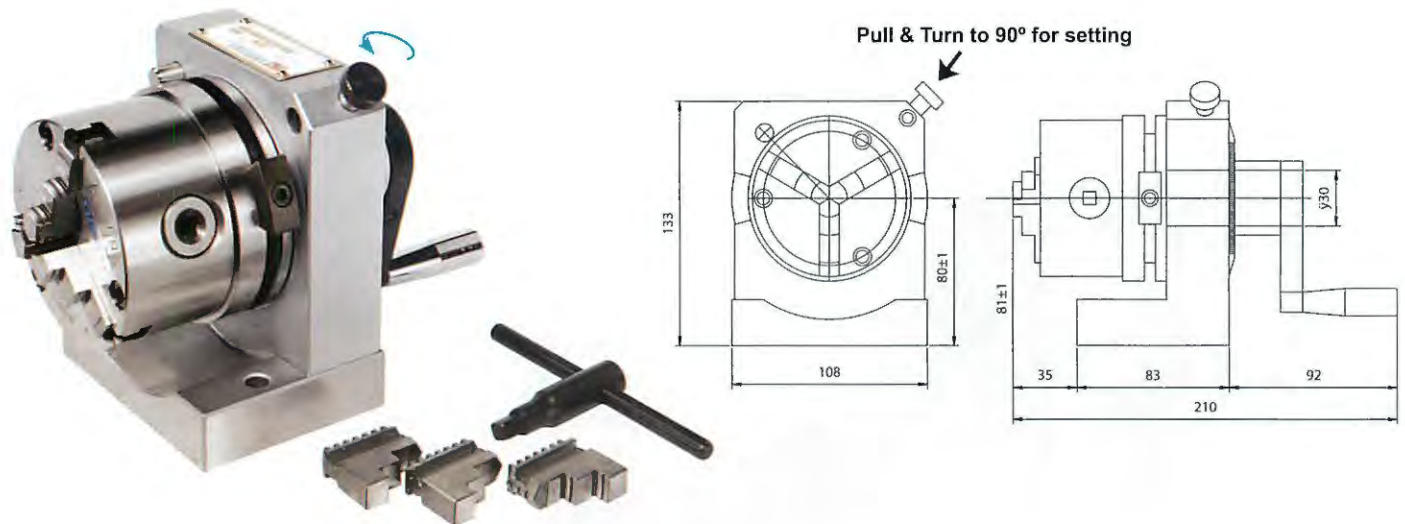




3-Jaws Punch Former

ORDER NO.V-PS-80J CODE NO:2001-030



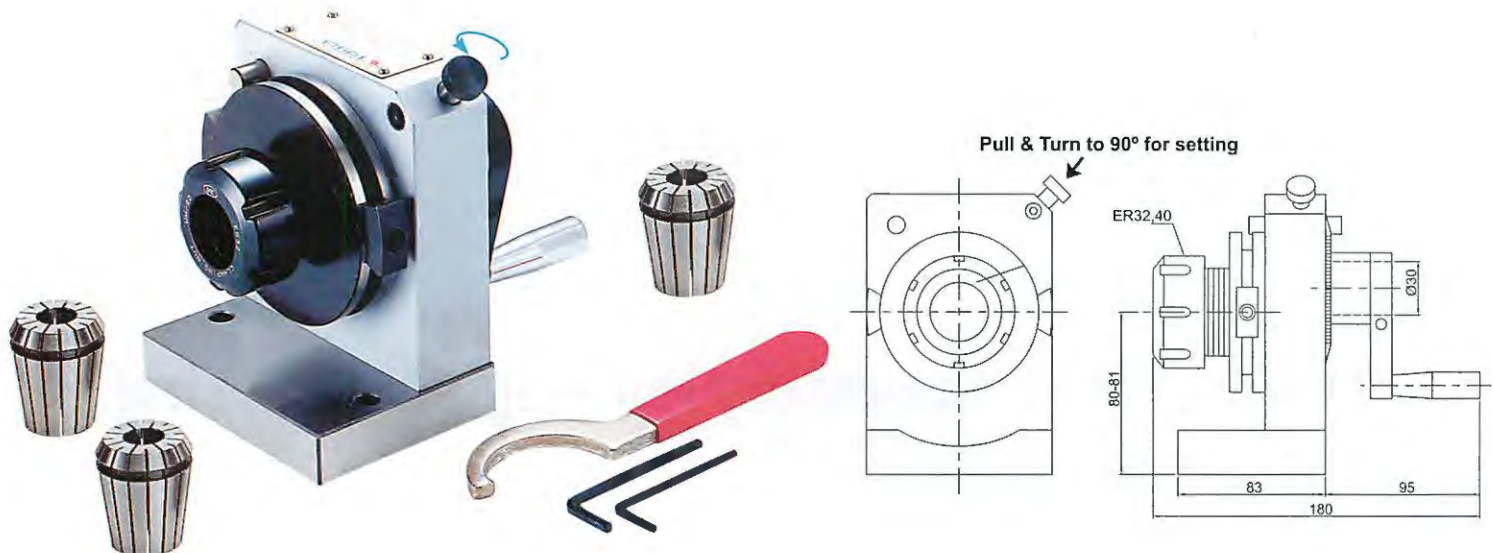
- VSC-3, 3 jaw chuck Clamping : $\varnothing 2-70$ mm
- The center of 3 jaws punch grinder can move gently to fix and to help the concentricity more precision.
- This punch grinder can divide into 24 angles, each angle is 15 degrees at 10 seconds accuracy, the weight is 8.7kgs.
- This style base can be selected to set up with sine plate to make sine angles. The sine plate also can be used with other Machines.
- The base can be adjusted for sine angle.
(ORDER NO.V-PS-80JS)



ER Collet Dividing Punch Former

ORDER NO.V-PS-ER32 CODE NO.2001-040

ORDER NO.V-PS-ER40 CODE NO.2001-041



- ER Collet Dividing Punch Grinder put ER32 main body and with collet inner size 6, 8, 10, 12, 16, 20mm, total 6pcs. the weight is 11kgs. ER40 with 7pcs.
- The center of collet can move gently to help the concentricity more precision.
- This punch grinder can divide into 24° angles, each angle is 15 degrees at ± 10 seconds accuracy.
- ER16 connection, special accessory (v-601 20-ER16-50L WITH 10PCS COLLET) can use
ER16 base can select sine vise base which is good for sine angle use
(ORDER NO.V-PS-ER32S).



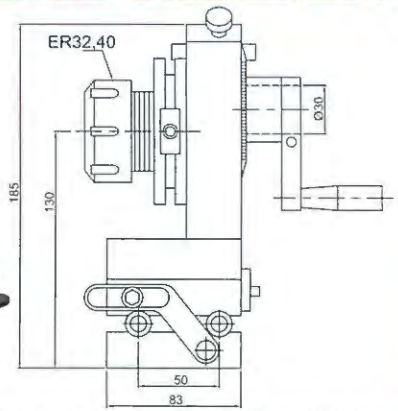
ER Collet Dividing Punch Grinder With Sine Plate

**VERTEX®**

ORDER NO.V-PS-ER32S

CODE NO.2001-060

WEIGHT:11kgs

Example V-601
Special Acces.

Tilting Feature

- ER Collet Dividing Punch Grinder put ER32 main body and with collet inner size 6, 8, 10, 12, 16, 20mm, total 6pcs. the weight is 11kgs.
- The center of collet can move gently to help the concentricity more precision.
- This punch grinder can divide into 24° angles, each angle is 15 degrees at ±10 seconds accuracy.

Special accessory: ER16 connection, (V-601 20-ER16-50L WITH 10PCS COLLET) can use ER16 base can select sine vise base which is good for sine angle use (ORDER NO.V-PS-ER32S) please choose from page C16

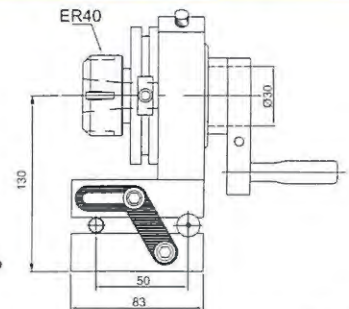


ER Collet Dividing Punch Grinder With Sine Plate

ORDER NO.V-PS-ER40S

CODE NO.2001-065

WEIGHT:10kgs

Example V-601
Special Acces.

Tilting Feature

- ER Collet Dividing Punch Grinder put main body and with collet inner. ER40 with 7pcs, Size 6,8,10,12,16,20,25 mm
- The center of collet can move gently to help the concentricity more precision.
- This punch grinder can divide into 24° angles, each angle is 15 degrees at ±10 seconds accuracy.

Special accessory: ER16 connection, (V-601 20-ER16-50L WITH 10PCS COLLET) can use ER16 base can select sine vise base which is good for sine angle use (ORDER NO.V-PS-ER32S) please choose from page C16

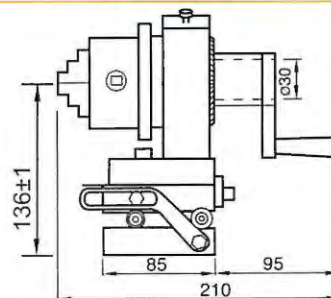


3-Jaws Punch Former With Sine Plate

ORDER NO.V-PS-80JS

CODE NO.2001-070

WEIGHT:11.7kgs



Tilting Feature

- The center of 3 jaws punch grinder can move gently to fix and to help the concentricity more precision.
- This punch grinder can divide into 24 angles, each angle is 15 degrees at 10 seconds accuracy, the weight is 8.7kgs.
- This style base can be selected to set up with sine plate to make sine angles. The sine plate also can be used with other Machines.
- The base can be adjusted for sine angle. (ORDER NO.V-PS-80JS)