



Sine Bar With Magnetic



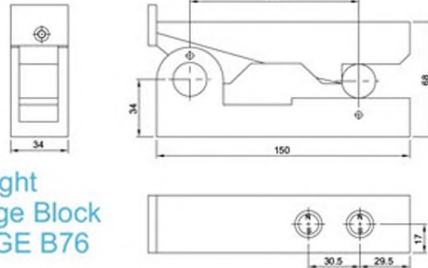
There is magnet in the bottom which can be run on any kind of machine for testing angle use.

The thread can for stopper screw



Height Gage Block PAGE B76

● Example

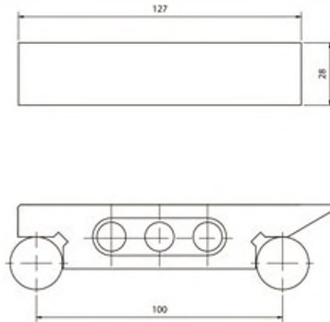


Unit:mm

ORDER NO.	SQUARNESS	ACCURACY	PARALLELISM	HARDNESS	MATERIAL	N.W. (kgs)	CODE NO.
V-S50M	0.005mm /100mm	±0.002	0.002mm/100mm	HRC50°	SK-3	0.34	2004-001
V-S100M	0.005mm /100mm	±0.002	0.002mm/100mm	HRC50°	SK-3	2.06	2004-002



Sine Bar



Unit:mm

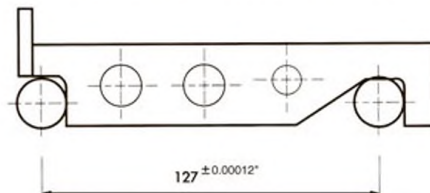
ORDER NO.	LENGTH	WIDTH	HEIGHT	CENTER DISTANCE	PARALLEL	HARDEN	BLOCKS DIA.	MATERIAL	N.W (kgs)	CODE NO.
VS-100	127	28	35	0.005	0.005/100mm	HRC50°	Ø20mm	SK-3	0.76	2004-010



Sine Bar-Inch



Change of the sine angle must be count on sine bar inspection, the bar's tolerance within 0.005 mm / 100 mm



Unit:inch

ORDER NO.	LENGTH	WIDTH	HEIGHT	CENTER DISTANCE	PARALLEL	HARDEN	BLOCKS DIA.	MATERIAL	N.W (kgs)	CODE NO.
V-S25	6-3/8"	1"	1-1/4"	127	0.00012"	HRC52°	3/4"	SK2	1	2004-020
V-S50	6-3/8"	2"	1-1/4"	127	0.00012"	HRC52°	3/4"	SK2	1.8	2004-021

HOW TO CHOOSE THE BLOCK FOR SINE BAR

DISTANCE GAUGE BLOCK CAN GET DEGREE	SIN BAR CENTER		SIN BAR CENTER	
	SIN BAR	CENTER	SIN BAR	CENTER
2°	1.7405	3.4899	1.7405	3.4899
3°	2.6168	5.2336	2.6168	5.2336
4°	3.4878	6.9756	3.4878	6.9756
5°	4.3578	8.7155	4.3578	8.7155
6°	5.2264	10.4528	5.2264	10.4528
7°	6.0935	12.1869	6.0935	12.1869
8°	6.9587	13.9173	6.9587	13.9173
9°	7.8217	15.6434	7.8217	15.6434
10°	8.6824	17.3648	8.6824	17.3648
11°	9.5404	19.0809	9.5404	19.0809
12°	10.3956	20.7911	10.3956	20.7911
13°	11.2476	22.4951	11.2476	22.4951
14°	12.0961	24.1921	12.0961	24.1921
15°	12.9401	25.8819	12.9401	25.8819
16°	13.7819	27.5637	13.7819	27.5637
17°	14.6186	29.2371	14.6186	29.2371
18°	15.4058	30.9017	15.4058	30.9017
19°	16.2784	32.5586	16.2784	32.5586
20°	17.1010	34.2020	17.1010	34.2020
21°	17.9184	35.8367	17.9184	35.8367
22°	18.7303	37.4606	18.7303	37.4606
23°	19.5366	39.0713	19.5366	39.0713
24°	20.3368	40.6736	20.3368	40.6736
25°	21.1309	42.2618	21.1309	42.2618
26°	21.9186	43.8371	21.9186	43.8371
27°	22.6995	45.3990	22.6995	45.3990
28°	23.4736	46.9471	23.4736	46.9471
29°	24.2405	48.4809	24.2405	48.4809
30°	25.0000	50.0000	25.0000	50.0000
31°	25.7519	51.5038	25.7519	51.5038
32°	26.4960	52.9919	26.4960	52.9919
33°	27.2320	54.4639	27.2320	54.4639
34°	27.9596	55.9192	27.9596	55.9192
35°	28.6788	57.3576	28.6788	57.3576
36°	29.3893	58.7785	29.3893	58.7785
37°	30.0908	60.1815	30.0908	60.1815
38°	30.7831	61.5661	30.7831	61.5661
39°	31.4660	62.9320	31.4660	62.9320
40°	32.1394	64.2787	32.1394	64.2787
41°	32.8030	65.6059	32.8030	65.6059
42°	33.4565	66.9130	33.4565	66.9130
43°	34.0999	68.1998	34.0999	68.1998
44°	34.7329	69.4658	34.7329	69.4658
45°	35.3553	70.7106	35.3553	70.7106