



2 PCS HIRTH Coupling



VIT-450~1200 PICTURE

| ORDER NO. | VIT-300-15 | VIT-450-1 | VIT-600-1 | VIT-700-1 | | | |
|---|--------------|--------------------------------|-------------------------------------|-----------|-----------|------------|------------|
| | | VIT-450-5 | VIT-600-5 | VIT-700-5 | VIT-800-5 | VIT-1000-5 | VIT-1200-5 |
| Table size LxW (mm) | 300x300 | 450x450 | 600x600 | 700x700 | 800x800 | 1000x1000 | 1200x1200 |
| Height (mm) | 160 | 170 | 200 | 220 | 280 | 300 | 340 |
| Spindle hole (mm) | - | ø30 | ø40 | ø40 | ø60 | ø60 | ø80 |
| T-slot (mm) | 14 | 18 | 20 | 20 | 22 | 22 | 22 |
| Table rotating | | Clockwise and counterclockwise | | | | | |
| Table Lifting up & Clamp down stroke (mm) | 5 | 5 | 5 | 5 | 5 | 8 | 8 |
| Driving | Longitudinal | Manual | Air Pressure 5~8kgs/cm ² | | | | |
| | Revolving | | Manual | | | | |
| Number of division (degree) | 15° | 1° or 5° | | | | | |
| Division (sec.) Accuracy | | ±3 | | | | | |
| Max. load weight in theory (kgs) | 1200 | 2400 | 3400 | 3400 | 4500 | 6000 | 7000 |
| Allowable load weight (kgs) | 500 | 1000 | 2000 | 2000 | 3000 | 5000 | 6000 |
| Clamping capacity (kgs) | - | 2200 | 3200 | 3200 | 5400 | 5400 | 8100 |
| N.W. (kgs) | 94 | 205 | 400 | 600 | 900 | 1200 | 2000 |
| CODE NO. 1° | 1001-070(15) | 1001-071 | 1001-072 | 1001-073 | | | |
| CODE NO. 5° | | 1001-081 | 1001-082 | 1001-083 | 1001-084 | 1001-085 | 1001-086 |

- The body is FC-35 cast iron, durable and will last longer without deformation.
- Clamping/Unclamping by pneumatic, easy operation.
- Powerful clamping design, allow heavy cutting and boring.

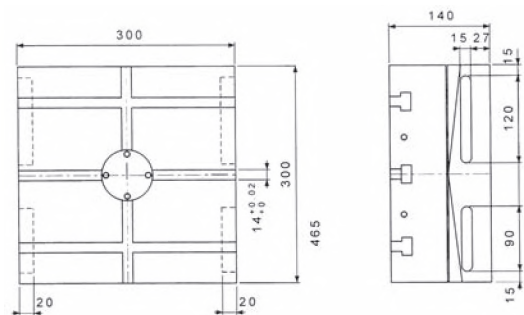
- Build-in 2 pieces hirth coupling for positioning, indexing accuracy +/-3 sec, ensure a long-term operation.
- Suitable for the high accuracy machining such as Boring-Milling, Grinding-Machine.

DIMENSION

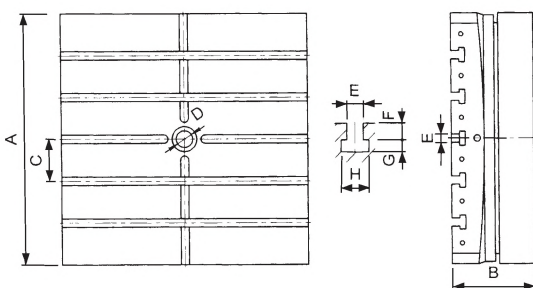
VIT-300 (PICTURE)



VIT-300



VIT-450~1200



| | VIT-450 | VIT-600 | VIT-700 | VIT-800 | VIT-1000 | VIT-1200 |
|---|---------|---------|---------|---------|----------|----------|
| A | 450 | 600 | 700 | 800 | 1000 | 1200 |
| B | 170 | 200 | 220 | 280 | 300 | 340 |
| C | 100 | 100 | 125 | 100 | 150 | 200 |
| D | 30 | 40 | 40 | 60 | 60 | 80 |
| E | 18 | 20 | 20 | 22 | 22 | 22 |
| F | 16 | 20 | 20 | 23 | 23 | 23 |
| G | 12 | 14 | 14 | 15 | 15 | 15 |
| H | 28 | 35 | 35 | 48 | 38 | 38 |