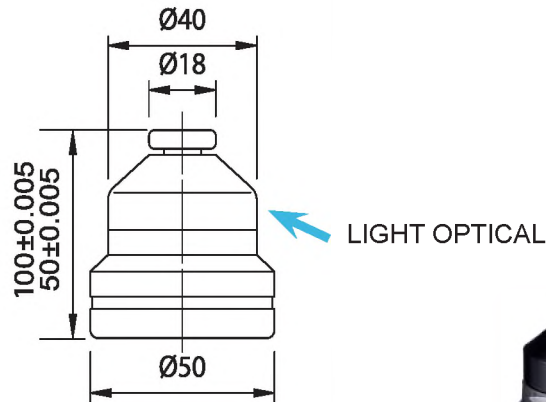


HP-50Z



HP-50Z BATTERY
LR4476AG13
1SET/2PCS
HP-50ZM
LR44
1SET/2PCS

MODEL For NEXT

- Height 50 mm and 100 mm.
- With Magnetic base.
- The red lamp will be lighted up when touched.
- Accuracy 0.005 mm.
- Combined vertical and horizontal in a unit.
- Weight:0.7 kgs



HP-100ZM

HP-100Z

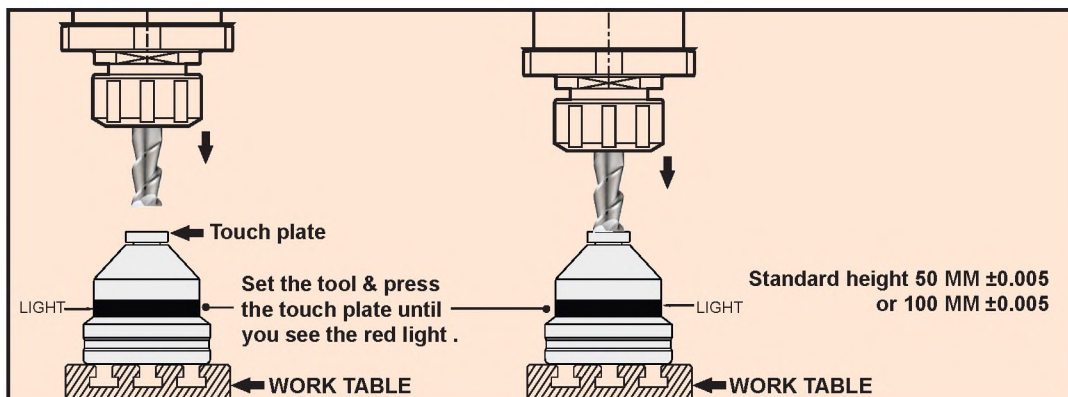
HEIGHT PRESETTER

- A. HP-50 / 100 / ZM / EM SERIES BUILT-IN MEGNETS FOR EASIER SETUP. VERTICAL & HORIZONTAL !
- B. STANDARD HEIGHT : 50 OR 100 MM
- C. WEIGHT ABOUT 0.7-1.2 KGS
- D. WHEN TOUCHED, THE RED LAMP LIGHTS ON.
- E. ACCURACY : WITHIN 0.005 MM
- F. BATTERY TYPE : LR44 / A76 / G13 X 2 PCS

MANUAL:

1. THERE IS A MECHNISM BELOW THE TOUCH PLATE CAN BE ADJUSTED BY GAUGE BLOCK.
 2. WHEN MACHINE SPEED IS HIGH, PLEASE REDUCE THE SPEED & GO UP /DOWNWARD UNTIL THE RED LIGHT IS OFF.
 3. PROCEED AGAIN IN LOWER SPEED.
 4. HORIZONTAL POSITION (HPXXX-XXEM/ZM SERIES-MAGNETIC FUNC.ONLY)
PLEASE USE THE TOP TIP OF THE CUTTER TO TOUCH THE TOUCH PLATE.
- ※ CAN NOT USE VERNIER TO CHECK / RE-SET

EXAMPLE



ORDER NO.	H	STYLE	WEIGHT (kg)		CODE NO.
			N.W.	G.W.	
HP-50Z	50mm	STANDARD TYPE	0.32	0.7	3403-001
HP-50ZM	50mm	WITH MAGNETIC BASE	0.32	0.7	3403-002
HP-100Z	100mm	STANDARD TYPE	1.0	1.25	3403-003
HP-100ZM	100mm	WITH MAGNETIC BASE	1.0	1.22	3403-004

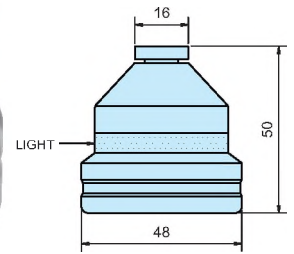
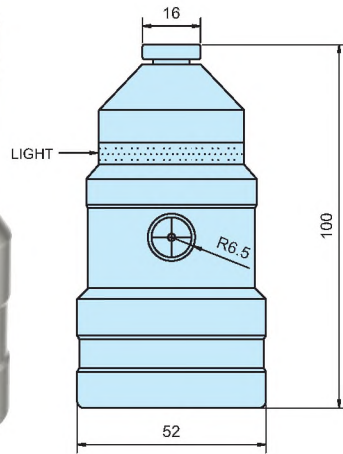




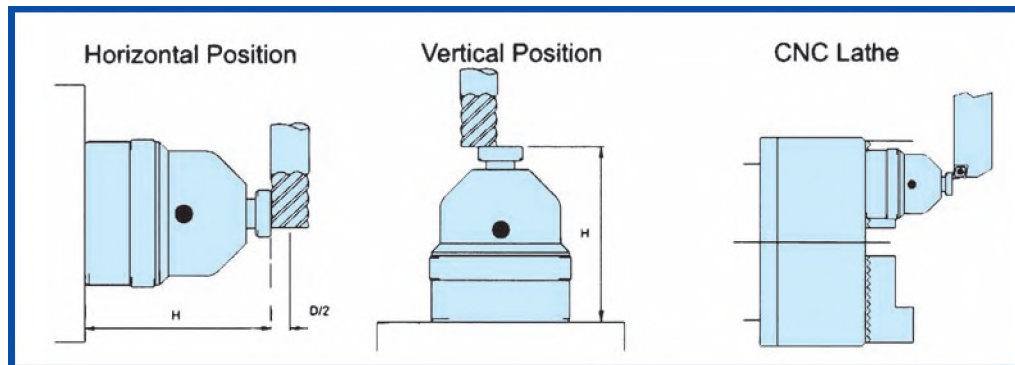
Electronic Tool Length Setter



STAINLESS STEEL BASE WITH MAGNET



EXAMPLE



- **HIGH ACCURACY**

- **EASY OPERATION**

- Be sure to remove all chips and all from the sensor plate and the base of the HP-50E as well as from the workpiece and tool.
- To move the tool approaching the sensor plate slowly.
- When touching, the "LED" turns on immediately and "H" is just 50.00 mm.(or2")
- LED will not function if batteries are not set in correctly.
- Designed to be used on ferrous.

ORDER NO.	H	STYLE	WEIGHT(kg) N.W.	CODE NO.
HP-50EM	50mm	WITH MAGNETIC BASE	0.32	3403-032
HP-100EM	100mm		1.0	3403-033

Stainless Steel Base With Magnet

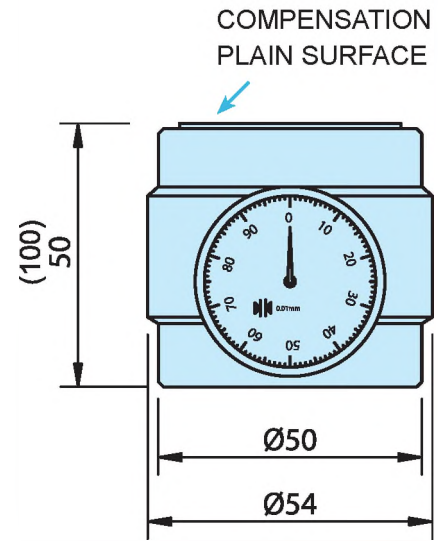
TOOL PRE-SETTER FOR MACHINING CENTERS.
CNC & STANDARD MILLING MACHINES AND
CNC & STANDARD LATHES



HP-50A

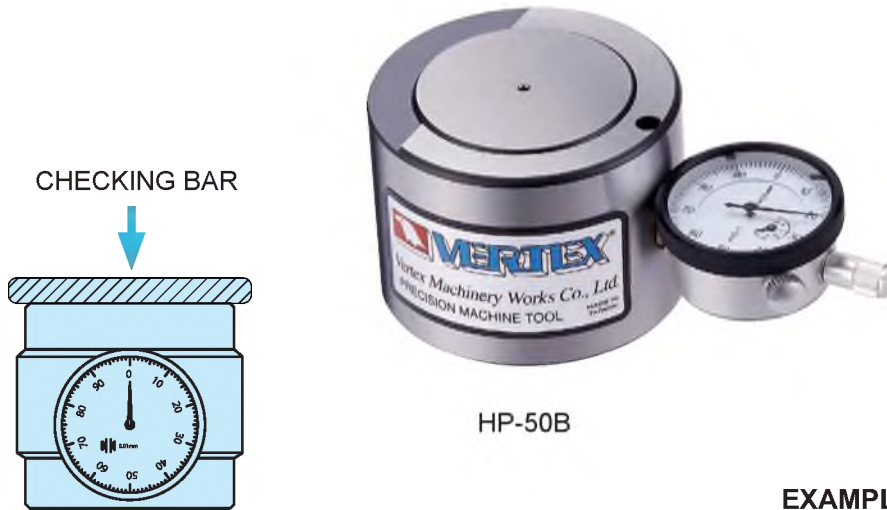


HP-100AM

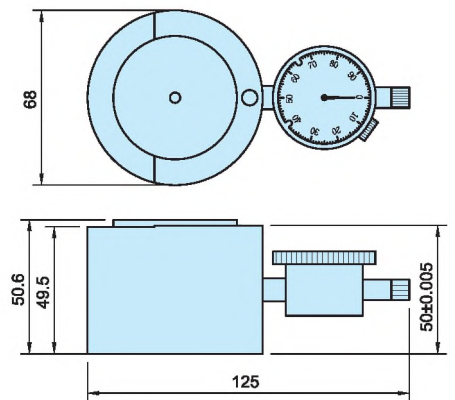


CHECKING BAR FOR 50 OR 100 MM POSITION AT ZERO POINT

Z-ZERO-SETTER



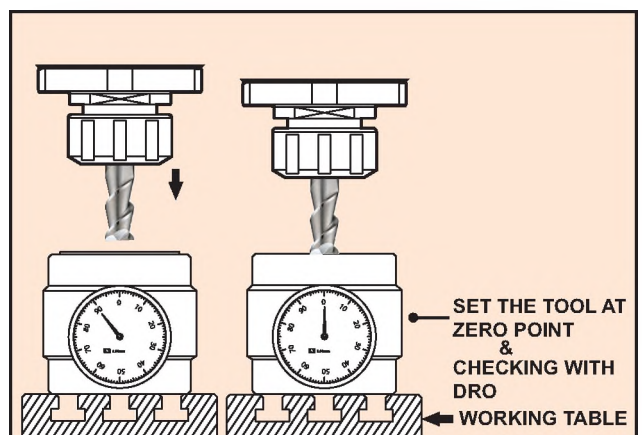
HP-50B



CHECKING BAR FOR 50 OR 100 MM POSITION AT ZERO POINT

- Have the central measuring part of the zero setter presetter against a plain surface and aligned if with the outer reference surface. Turn the dial gauge for zero setting. Have the cutter touched against the z zero setter.
- Once the indicator position at zero, the distance between the tool tip to workpiece is 50mm, ± 0.005 , 100 mm, ± 0.005 .

EXAMPLE



SET THE TOOL AT ZERO POINT & CHECKING WITH DRO
WORKING TABLE

ORDER NO.	H	STYLE	WEIGHT (kg)	CODE NO.
HP-50A	50mm	STANDARD TYPE	1.1	3403-020
HP-50B			1.7	3403-021
HP-50AM		WITH MAGNETIC BASE	1.2	3403-022
HP-50BM			1.7	3403-023
HP-100A	100mm	STANDARD TYPE	1.78	3403-024
HP-100AM		WITH MAGNETIC BASE	1.77	3403-025

NEW

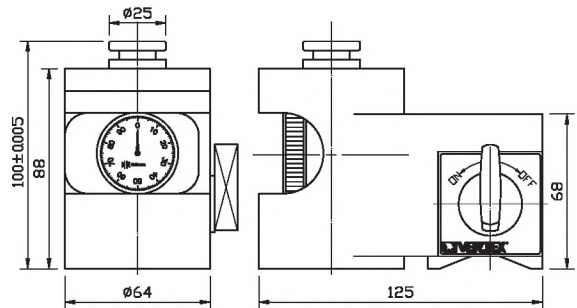


Height Presetter (For Machining Center)



ORDER NO.HP-100 CODE NO.3403-010

Height from reference surface	WEIGHT(kgs)
100mm	2.6



WITH CHECKING GAUGE



- Locate the height presetter on a place suitable for a reference surface of work piece.
- Apply the cutter on the measuring surface and slowly lower the Z-axis. Then, cutter gets near to the measuring position.
- A distance from the reference surface to the tool tip can be measured easily and precisely so that this presetter is most suitable not only for machineing centers but for NC lathes and NC milling machines.

* Magnetic base function can be used in vertical position & horizontal position.

* HEIGHT:100mm±0.005 , 1 scale 0.01mm



Centering Indicator

ORDER NO.VCI-170 CODE NO.3402-130



(WITH STOP BAR FOR FIXING THE HEAD)

- RPM Within 800.
- Use for Internal or External.
- Use for Vertical or Horizontal.
- While Spindle Rotates, With Stop bar for Fixing The Head The Centering Indicator Always faces the operator.

SHANK	ø10	mm
LENGTH	170	mm
INTERNAL	ø4~ø108	mm
EXTERNAL	ø0~ø108	mm
MIN. INDICATOR	0.01	mm
INDICATOR RANGE	0~6	mm
WEIGHT	0.8	kgs