

NEW



● VSK REVERSIBLE TYPE

VMJ-150, 200, 250, 300



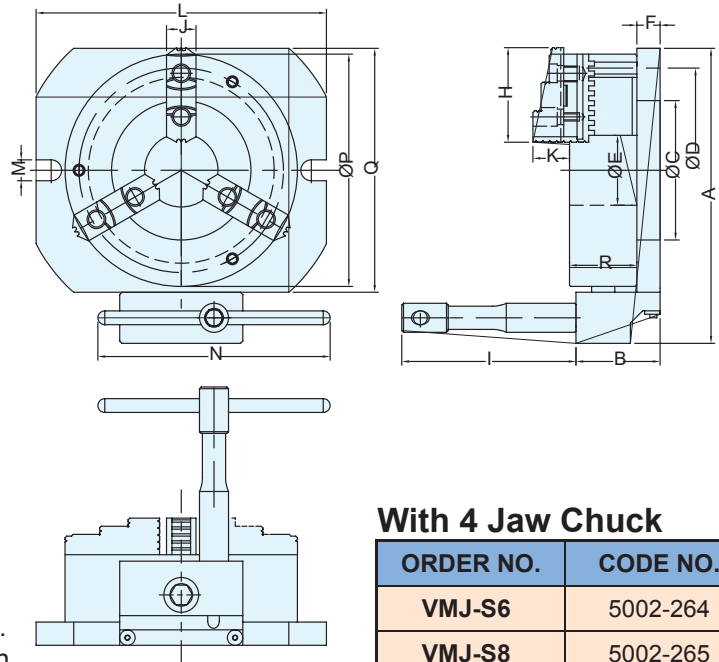
NEW TYPE 3 JAW CHUCK CHANGEABLE

NEW

VMJ-B150, B200, B250, B300



● VSC REVERSIBLE TYPE



- Convert 3/4 Jaws chuck into clamping chuck.
- Vertical cutting / locking.
- Large workpieces can be held tight with the low profile vise body.
- 3 Jaws can for round workpiece.
- 4 Jaws can for square workpiece & round workpiece.
- The handle is set on the face and does not interfere with the table. A number of chucks can be used together.
- Suit for MC center, Milling & Boring machine.
- Easy to exchange 3/4 Jaws chuck.

With 4 Jaw Chuck

ORDER NO.	CODE NO.
VMJ-S6	5002-264
VMJ-S8	5002-265
VMJ-S10	5002-266
VMJ-S12	5002-267

SPECIFICATIONS VSK TYPE

Unit:mm

ORDER NO.	A	B	C	D	E	F	H	I	J	K	L	M	N	P	Q	R	Gnpping Range		Weight (kgs)	CODE NO.
																	O.D Range	I.D Range		
VMJ-150	219	83	90	147	45	20	72	150	26	39	215	18	200	165	175	67	Ø8-Ø160	Ø55-Ø150	17.7	5002-260
VMJ-200	254	83	120	176	58	20	82	150	28	43	250	18	200	200	200	76.5	Ø8-Ø180	Ø62-Ø170	24.4	5002-261
VMJ-250	327	83	190	250	87	24	100	150	35	50	324	18	200	273	283	87	Ø12-Ø260	Ø80-Ø250	48.7	5002-262
VMJ-300	364	83	220	285	105	24	114	150	40	56	360	18	200	310	320	96	Ø15-Ø300	Ø90-Ø290	63.7	5002-263

SPECIFICATIONS VSC TYPE

Unit:mm

ORDER NO.	A	B	C	D	E	F	H	I	J	K	L	M	N	P	Q	R	Gnpping Range		Weight (kgs)	CODE NO.
																	O.D Range	I.D Range		
VMJ-B150	219	83	90	147	45	20	72	150	19	39	215	18	200	165	175	67	Ø3-Ø160	Ø48-Ø150	17.7	5002-275
VMJ-B200	254	83	120	176	58	20	82	150	21.5	43	250	18	200	200	200	76.5	Ø4-Ø180	Ø56-Ø170	24.9	5002-276
VMJ-B250	327	83	190	250	87	24	100	150	28	50	324	18	200	273	283	87	Ø6-Ø260	Ø70-Ø250	50	5002-277
VMJ-B300	364	83	220	285	105	24	114	150	30	56	360	18	200	310	320	96	Ø10-Ø300	Ø86-Ø290	66.5	5002-278