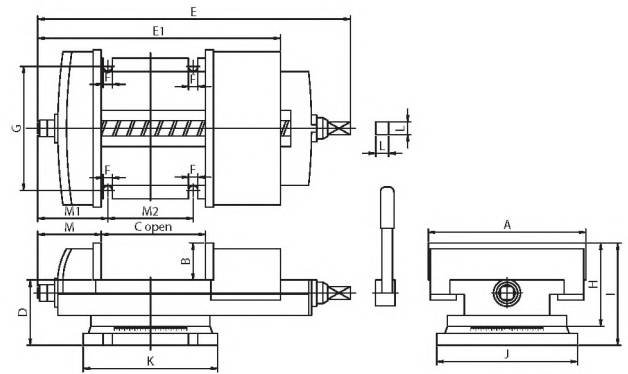




Machine Vise For Shaping & Milling Use



The vise is made of the high tension cast iron, rigidity, large range of clamping spans and more bigger clamping force at press down jaws, especially suitable for the heavy duty cutting and the heavy duty planer milling machine to clamp large workpiece.

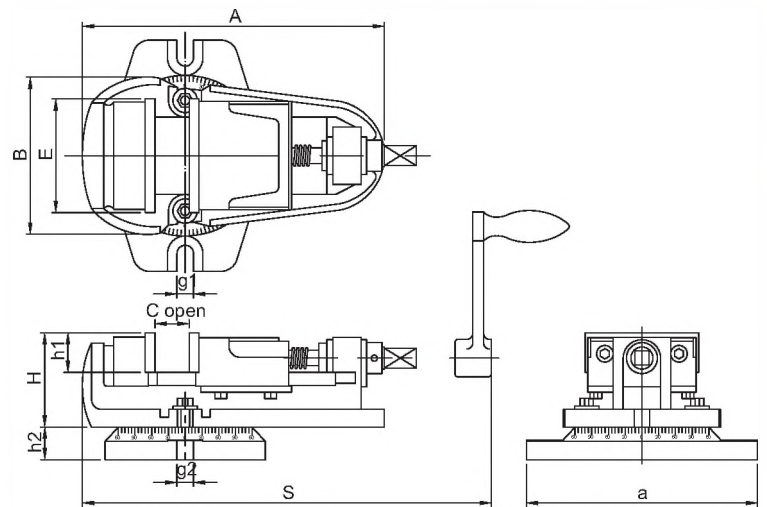
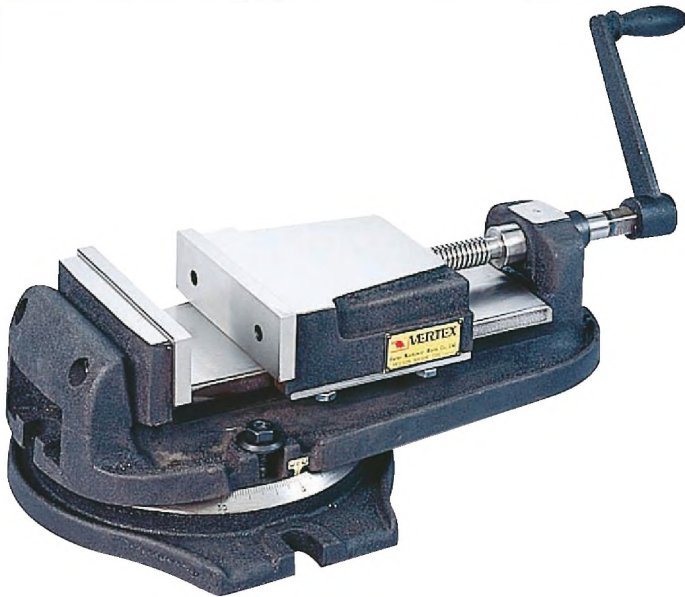
Unit:mm



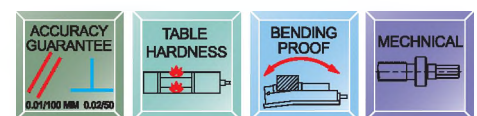
| ORDER NO. | A | B | C OPEN | D | E | E1 | F | G | H | I | J | K | L | M | M1 | M2 | Max. Clamp Force (kgf) | G.W. (kgs) | CUFT (cm) | CODE NO. |
|-----------|-----|----|--------|-----|-----|-----|----|-----|-----|-----|-----|-----|----|-----|-----|-----|------------------------|------------|-----------|----------|
| VSM-12 | 304 | 72 | 290 | 126 | 604 | 560 | 18 | 240 | 161 | 198 | 272 | 260 | 25 | 123 | 135 | 165 | 800 | 84 | 67x35x23 | 1002-270 |
| VSM-16 | 405 | 96 | 415 | 145 | 763 | 738 | 20 | 292 | 200 | 241 | 336 | 336 | 25 | 135 | 143 | 248 | 1000 | 142 | 84x45x27 | 1002-271 |
| VSM-20 | 508 | 95 | 505 | 150 | 902 | 871 | 21 | 288 | 204 | 245 | 336 | 336 | 25 | 169 | 211 | 246 | 1200 | 200 | 97x56x28 | 1002-272 |



B-Type Milling Vise



- A wider bottom to increase clamping force.
- Groove device to collect cutting oil.
- Full 360° swivel base with line, accurate graduation.
- In order to ensure the accuracy when using it better that don't put swivel base together



| ORDER NO. | A | B | E | H | C OPEN | S | a | h1 | h2 | g1 | g2 | Max. Clamp Force (kgf) | G.W. kgs | CODE NO. |
|-----------|-----|-----|-----|-----|--------|-----|-----|----|----|----|----|------------------------|----------|----------|
| VBV-4 | 270 | 140 | 100 | 79 | 65 | 305 | 212 | 33 | 28 | 12 | 12 | 900 | 13 | 1002-280 |
| VBV-5 | 350 | 180 | 125 | 96 | 100 | 410 | 280 | 37 | 35 | 15 | 15 | 900 | 21.5 | 1002-281 |
| VBV-6 | 452 | 218 | 160 | 103 | 132 | 483 | 317 | 48 | 40 | 16 | 16 | 1000 | 41 | 1002-282 |