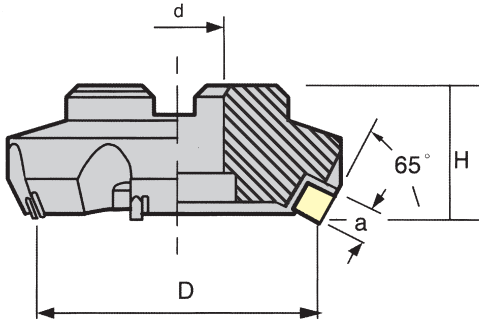




# Face Milling Cutter 65°

65°



ORDER NO.	D	d	INCH METRIC	H	BLADE	WEIGHT(kg)	CODE NO.
SP535-3	80	25.4	50	5	2.1	6001-040I	
		27				6001-040M	
SP535-4	100	31.75	55	5	3.3	6001-041I	
		32				6001-041M	
SP535-5	125	38.1	60	6	5.6	6001-042I	
		40				6001-042M	
SP535-6	160	50.8	60	8	7.4	6001-043I	
		40				6001-043M	
SP535-8	200	47.625	60	10	10.2	6001-044I	
		60				6001-044M	
SP535-10	250	47.625	60	12	17.5	6001-045I	
		60				6001-045M	
SP535-12	300	47.625	60	14		6001-046I	
		60				6001-046M	
SP435-3	80	25.4	50	5	2.1	6001-070I	
		27				6001-070M	
SP435-4	100	31.75	55	5	3.3	6001-071I	
		32				6001-071M	
SP435-5	125	38.1	60	6	5.5	6001-072I	
		40				6001-072M	
SP435-6	160	50.8	60	8	7.8	6001-073I	
		40				6001-073M	
SP435-8	200	47.625	60	10	10.1	6001-074I	
		60				6001-074M	
SP435-10	250	47.625	60	12	17.5	6001-075I	
		60				6001-075M	
SP435-12	300	47.625	60	14	26.8	6001-076I	
		60				6001-076M	

## PARTS

SCR-CL5/16	CL-S	SCR-ST-S4	ST-S	WRN-M4T

## INSERT

<b>535 HEAVY DUTY</b> 	<b>435 LIGHT DUTY</b> 
SPKN-1504	SPKN-1204