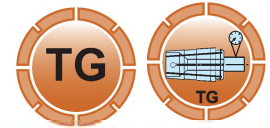
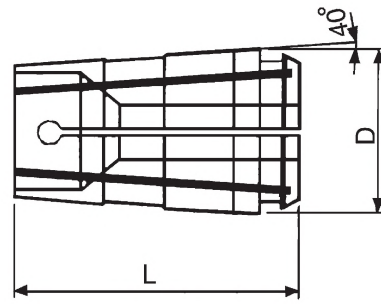


● PRECISION TG10 COLLET WITHIN 20 MICRON



■ RANGE SIZE: 1/8" - 63/64"

TG-100 ■ D:35 ■ L:61 ■ TAPER:4 ■ WEIGHT:0.2KGS ■ HRC:47°

ORDER NO.	INCH	CODE NO.
TG10-01	1/8"	3204-001
TG10-02	3/6"	3204-002
TG10-03	1/4"	3204-003
TG10-04	5/16"	3204-004
TG10-05	3/8"	3204-005
TG10-06	7/16"	3204-006
TG10-07	1/2"	3204-007
TG10-08	9/16"	3204-008
TG10-09	5/8"	3204-009
TG10-10	11/16"	3204-010
TG10-11	3/4"	3204-011
TG10-12	13/16"	3204-012
TG10-13	7/8"	3204-013
TG10-14	15/16"	3204-014
TG10-15	1"	3204-015
TG10-16	5/32"	3204-016
TG10-17	7/32"	3204-017
TG10-18	9/32"	3204-018
TG10-19	11/32"	3204-019
TG10-20	13/32"	3204-020
TG10-21	15/32"	3204-021
TG10-22	17/32"	3204-022
TG10-23	19/32"	3204-023
TG10-24	21/32"	3204-024
TG10-25	23/32"	3204-025
TG10-26	25/32"	3204-026
TG10-27	27/32"	3204-027
TG10-28	29/32"	3204-028
TG10-29	31/32"	3204-029

ORDER NO.	INCH	CODE NO.
TG10-30	9/64"	3204-030
TG10-31	11/64"	3204-031
TG10-32	13/64"	3204-032
TG10-33	15/64"	3204-033
TG10-34	17/64"	3204-034
TG10-35	19/64"	3204-035
TG10-36	21/64"	3204-036
TG10-37	23/64"	3204-037
TG10-38	25/64"	3204-038
TG10-39	27/64"	3204-039
TG10-40	29/64"	3204-040
TG10-41	31/64"	3204-041
TG10-42	33/64"	3204-042
TG10-43	35/64"	3204-043
TG10-44	37/64"	3204-044
TG10-45	39/64"	3204-045
TG10-46	41/64"	3204-046
TG10-47	43/64"	3204-047
TG10-48	45/64"	3204-048
TG10-49	47/64"	3204-049
TG10-50	49/64"	3204-050
TG10-51	51/64"	3204-051
TG10-52	53/64"	3204-052
TG10-53	55/64"	3204-053
TG10-54	57/64"	3204-054
TG10-55	59/64"	3204-055
TG10-56	61/64"	3204-056
TG10-57	63/64"	3204-057