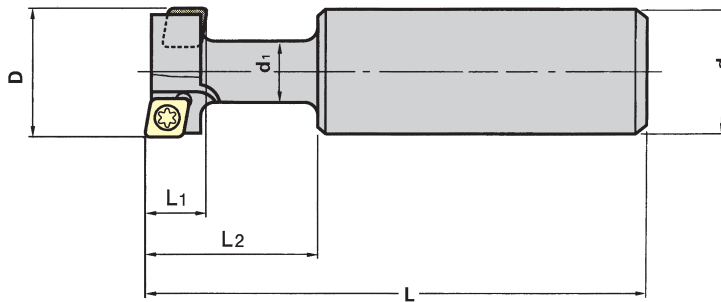
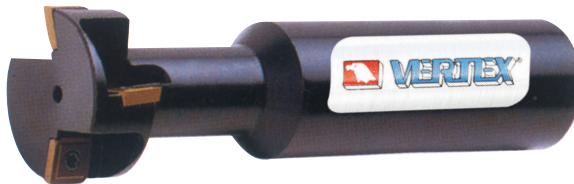




T-Slot End Mills

ISO CODE



ORDER NO.	D	L1	d	d1	L2	L	BLADE	INSERT	FIXING UNIT	WRENCH	WEIGHT	CODE NO.
VTE-2411	24	11	20	12	29	90	4	CCMT-060204	SCR-TS2.5	T8	0.19	6004-015
VTE-3114	31	14	25	15	42	110	4	CPMT-080204Z			0.36	6004-016
VTE-3918	39	18	32	19	49	120	4	CPMT-090308	SCR-TS4	T15	0.61	6004-017
VTE-4922	49	22	32	25	60	140	4	CPMT-120408	SCR-TS5	T20	0.82	6004-018