

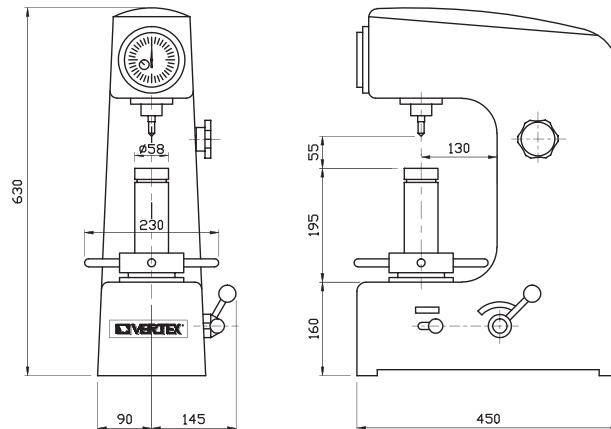


Hardness Tester

ORDER NO.VHT-260 CODE NO.2033-201



NEW



- Swing 260mm
- Workpiece max. height : 170mm
- L x W x H : 466 x 238 x 630 mm
- Weight : 86.2 kgs
- 3 pressure degree : 60, 100, 150 kgs
- Rockwell scale : HRA>70
HRB 30 - 100
HRC 20 - 67

ACCESSORIES :

- Diamond tester x 1
- Steel ball tester x 1
- Flat testing table x 2
- Prisma testing table x 1
- Rockwell standard manual x 1

HARDNESS TESTER