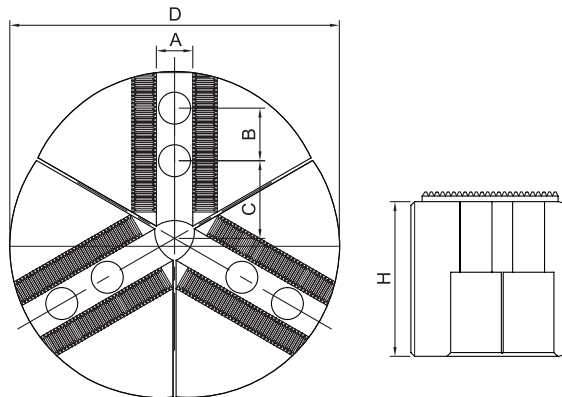
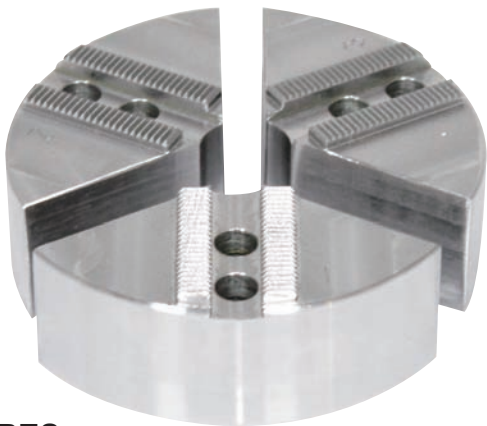




Round Disc Soft Jaw

MATERIAL : STEEL S45C

NEW



FAETURES

- This type of soft jaw can cover the outerdie of workpiece to decrease deformation and increase the accuracy.
- For example : VFRD-8 can hold parts with outer dia. of 200 mm.
- Pie Jaw are suitable for extra bigger outer dia. (thin wall)
- To suit kitagawa and other famous chucks.
- Pie shspe soft jaw

Unit:mm

ORDER NO.	D	A	B	C	H	THREAD	THRU HOLE	SERRATION PITCH	WEIGHT (kg)	CODE NO.
VFRD-6	169	12	20	49.5	36	M10	25	1.5x60°	6.12	5002-381
VFRD-8	200	14	25	51	40	M12			9.64	5002-382
VFRD-9	200	14	25	51	50	M12			13.2	5002-383
VFRD-10	250	16	30	65	50	M12			18.1	5002-384
VFRD-12	300	21	30	81	50	M16			25.8	5002-385