

THREAD GROUND

- MATERIAL: SNCM 21
- HARDNESS: HRC 54±2°
- SHANK BT-30(P 30T)
- SHANK BT-40(P 40T)
- SHANK BT-50(P 50T)

Unit:mm

ORDER NO.	TAPER NO.	a°	L	L1	L2	D	d1	d2	d3	M	NOTE	CODE NO.
BT-510	BT30X90°	90	43	23	18	16.5	11	7	12.5	M12	P30T-3(90°)	3215-007
BT-501	BT30X45°	45	43	23	18	16.5	11	7	12.5	M12	P30T-1(45°)	3215-008
BT-502	BT30X60°	60	43	23	18	16.5	11	7	12.5	M12	P30T-2(60°)	3215-009
BT-511	BT40X90°	90	60	35	28	23	15	10	17	M16	P40T-3(90°)	3215-010
BT-503	BT40X45°	45	60	35	28	23	15	10	17	M16	P40T-1(45°)	3215-011
BT-504	BT40X60°	60	60	35	28	23	15	10	17	M16	P40T-2(60°)	3215-012
BT-512	BT50X90°	90	85	45	35	38	23	17	25	M24	P50T-3(90°)	3215-013
BT-505	BT50X45°	45	85	45	35	38	23	17	25	M24	P50T-1(45°)	3215-014
BT-506	BT50X60°	60	85	45	35	38	23	17	25	M24	P50T-2(60°)	3215-015

PULL STUDS

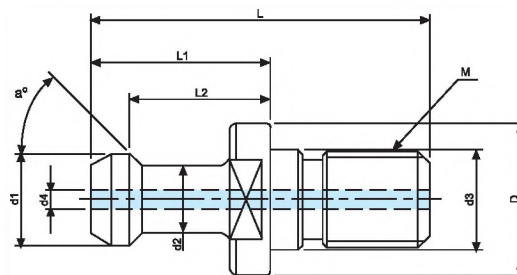
Pull Studs

MAS 403
BT-40,50

JIS B6339-1986

• With through hole for internal coolant

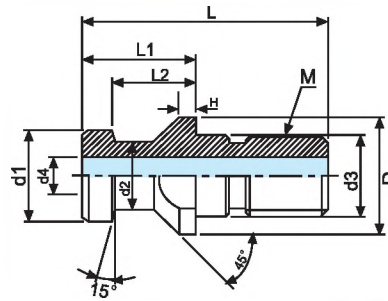
FOR MAS 403



Unit:mm

ORDER NO.	TAPER NO.	a°	L	L1	L2	D	d1	d2	d3	d4	M	CODE NO.
BT-516	BT40X45°W	45	60	35	28	23	15	10	17	4	M16	3215-060
BT-517	BT40X60°W	60	60	35	28	23	15	10	17	4	M16	3215-061
BT-518	BT40X90°W	90	60	35	28	23	15	10	17	4	M16	3215-062
BT-519	BT50X45°W	45	85	45	35	38	23	17	25	7	M24	3215-063
BT-520	BT50X60°W	60	85	45	35	38	23	17	25	7	M24	3215-064
BT-521	BT50X90°W	90	85	45	35	38	23	17	25	7	M24	3215-065

FOR DIN 69872-1988

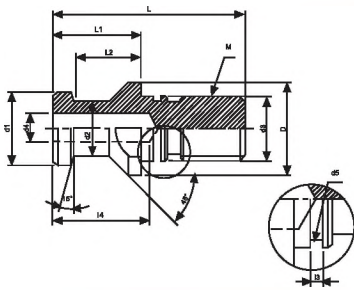


With Collant Hole

DIN 69872. (WITH THROUGH HOLE)-A TYPE

Unit:mm

ORDER NO.	TAPER NO.	L	L1	L2	D	d1	d2	d3	d4	M	H	CODE NO.
BT-522	DIN30-A	44	24	19	17	13	9	13	3	M12		3215-066
BT-523	DIN40-A	54	26	20	23	19	14	17	7	M16	4	3215-067
BT-524	DIN40-A-L	54	29	23	23	19	14	17	7	M16		3215-068
BT-525	DIN50-A	74	34	25	36	28	21	25	11.5	M14		3215-069



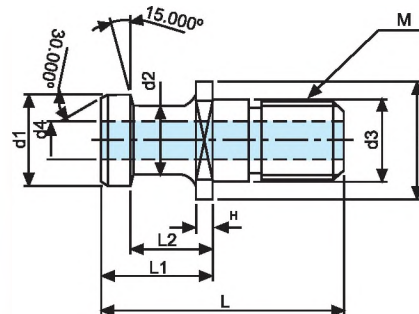
WITHOUT O-RING DIN69872-B TYPE

Unit:mm

ORDER NO.	TAPER NO.	L	L1	L2	I3	I4	D	d1	d2	d3	d4	M	CODE NO.
BT-526	DIN30-B	44	24	19	1.4	/	17	13	9	13	/	M12	3215-070
BT-527	DIN40-B	54	26	20	1.9	27	23	19	14	17	7	M16	3215-071
BT-528	DIN50-B	74	34	25	3	37	36	28	21	25	11.5	M24	3215-072

ISO-A TYPE

FOR ISO/JIS 7388/2/A-1984A



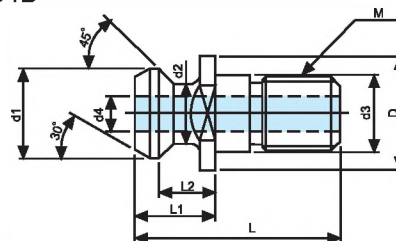
With Collant Hole

Unit:mm

ORDER NO.	TAPER NO.	L	L1	L2	D	d1	d2	d3	d4	M	H	CODE NO.
BT-529	ISO40-A	54	26	20	23	29	24	27	7	M16	3	3215-073
BT-530	ISO50-A	74	34	25	36	28	21	25	11.5	M24		3215-074

ISO-B TYPE

FOR ISO/JIS 7388/2/B-1984B

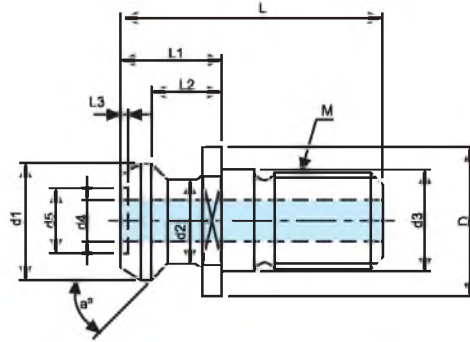


With Collant Hole

Unit:mm

ORDER NO.	TAPER NO.	L	L1	L2	D	d1	d2	d3	d4	M	CODE NO.
BT-531	ISO40-B	44.5	16.4	11.15	22.5	18.95	12.95	17	7.35	M16	3215-075
BT-532	ISO50-B	65.5	25.5	17.95	37	29.1	19.6	25	11.55	M24	3215-076

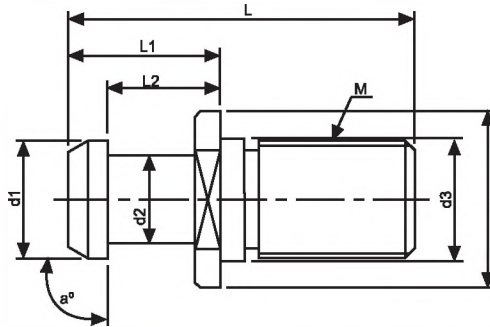
MAZAK FOR MAZAK MACHINE



Unit:mm

ORDER NO.	TAPER NO.	a°	L	L1	L2	L3	D	d1	d2	d3	d4	d5	M	CODE NO.
BT-533	MAZAK BT50	45	65.2	25.2	17.58	1.8	37	28.95	20.83	25	10	16	M24	3215-077
BT-534	MAZAK BT40	45	44.1	19.1	14		22	18.8	12.45	17	7		M16	3215-078
BT-535	MAZAK CAT40	45	44.1	16.1	11		22	18.8	12.45	17	7		M16	3215-079

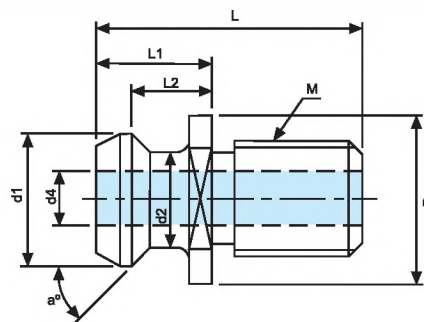
MITSUI FOR MITSUI MACHINE



Unit:mm

ORDER NO.	TAPER NO.	a°	L	L1	L2	D	d1	d2	d3	M	CODE NO.
BT-536	MITSUI BT40	90	50	25	18	23	15	10	17	M16	3215-080
BT-537	MITSUI BT50	90	71	31	23	36	24	18	25	M24	3215-081

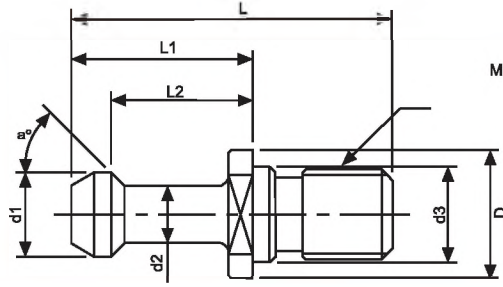
CAT FOR ANSI B5-50



Unit:mm

ORDER NO.	TAPER NO.	a°	L	L1	L2	D	d1	d2	d4	M	CODE NO.
BT-538	CAT40	45	38.1	16.2	11.2	23.8	18.8	12.4	7.1	5/8"	3215-082
BT-539	CAT50	45	58.4	25.4	17.8	36	28.9	20.8	11.8	1"	3215-083

CAT-BT FOR BT MACHINE

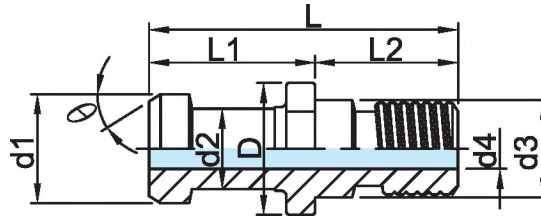


Unit:mm

ORDER NO.	TAPER NO.	a°	L	L1	L2	D	d1	d2	d3	M	CODE NO.
BT-540	CAT40X45°	45	57	32	25	23	15	10		5/8"	3215-084
BT-541	CAT40X60°	60	57	32	25	23	15	10		5/8"	3215-085
BT-542	CAT40X90°	90	57	32	25	23	15	10		5/8"	3215-086
BT-543	CAT50X45°	45	78.6	45	35.2	38	23	17		1"	3215-087
BT-544	CAT50X60°	60	78.6	45	35.2	38	23	17		1"	3215-088
BT-545	CAT50X90°	90	78.6	45	35.2	38	23	17		1"	3215-089
BT-546	CAT40X45°M	45	57	32	25	23	15	10	17	M16	3215-090
BT-547	CAT40X60°M	60	57	32	25	23	15	10	17	M16	3215-091
BT-548	CAT40X90°M	90	57	32	25	23	15	10	17	M16	3215-092

Pull Studs

FOR JIS 6339B-40P



With Collant Hole
OKUNMA JIS #40

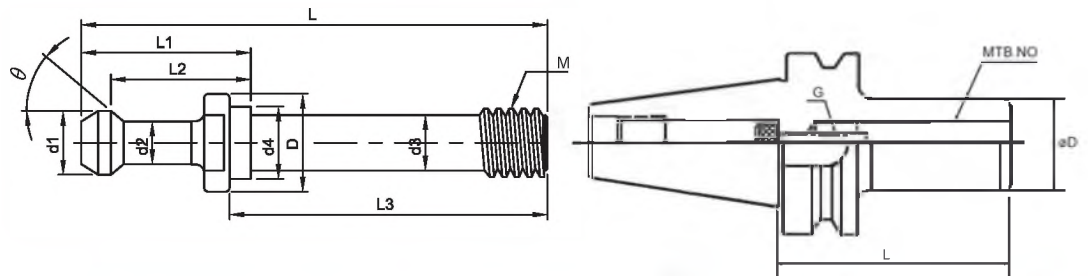
Unit:mm

ORDER NO.	TAPER NO.	a°	L	L1	L2	D	d1	d2	d3	d4	M	CODE NO.
BT-556	JIS	30	54	29	23	23	19	14	17	7	M16	3215-111

STEEL: SNCM-21

Pull Studs

FOR MAS 403



Unit:mm

ORDER NO.	TAPER NO.	a°	L	L1	L2	L3	D	d1	d2	d3	d4	M	CODE NO.
BT-560	BT40-MTB3	45	105	35	28	70	23	15	10	17	13	M12	3215-121
BT-561	BT40-MTB4	45	110	35	28	75	23	15	10	17	13	M16	3215-122