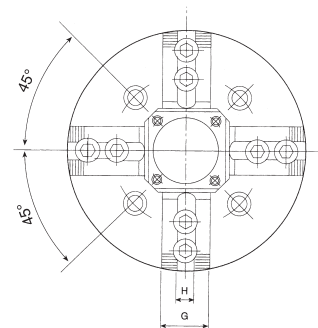
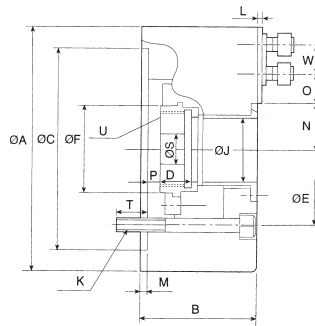




# 4-Jaw Wedge Type Through Hole Power Chuck (Without Adaptor)



## DIMENSIONS

ORDER NO.	A	B	C (H6)	D	E	M	G	H	J	K	L	F	N Max.	N Min.	O Max.	O Min.	P Max.	P Min.	S	T	U	W
VNIT-208	210	91	170	20.5	133.35	5	37	14	52	4-M12	2	66	38.7	35	29.75	14.75	14.5	1.5	30	20	M60x2	25
VNIT-210	254	100	220	25	171.45	5	42	16	75	4-M16	2	94	51	46.6	33.75	14.75	8.5	-10.5	45	22	M85x2	30
VNIT-212	304	110	220	28	171.45	6	52	21	91	4-M16	2	108	61.3	56	45.75	15.75	8	-15	50	23	M100x2	30
VNIT-215	381	133	300	43	235	6	62	24	117.5	4-M20	5	139	82	76.7	46.75	13.75	7	-16	60	30	M130x2	43

## SPECIFICATIONS

ORDER NO.	Through-Hole (mm)	Plunger Stroke (mm)	Jaw Stroke (mm)	Max. Draw Bar Pull Force (kgf)	Max. Gripping Force (kgf)	Max. Speed (r.p.m.)	Weight (kgs)	Matching Cylinder	Max. Operating Pressure (kgf/cm <sup>2</sup> )	CODE NO.
VNIT-208	Ø52	16	7.4	2294	5716	4900	24	M1552	17.3	5003-050
VNIT-210	Ø75	19	8.8	2906	7546	4200	36	M1875	18.4	5003-051
VNIT-212	Ø91	23	10.6	3739	9789	3300	58.5	M2091	18.4	5003-052
VNIT-215	Ø117.5	23	10.6	6828	12236	2500	114	M2511	15.3	5003-053