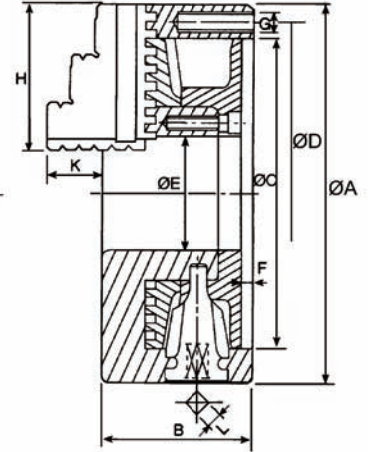
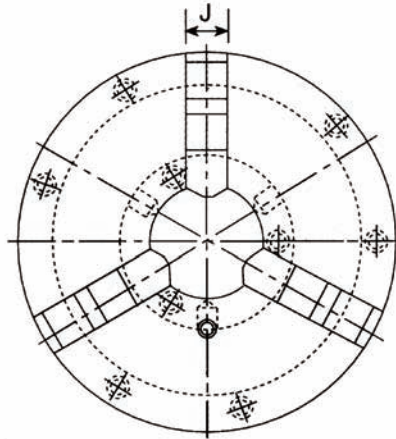


3-Jaw Scroll Chuck



JIS STANDARD Accuracy Type



- Interchangeable utilization of internal and external hard jaws.
- VSC types feature economical and durable, suitable for mass production.

- Gripping accuracy of 0.03mm (0.012inch) T.I.R..
- The body is made of MEEHANITE. It is suitably used for high speed revolution and 3 times more durable than regular chucks.

SPECIFICATIONS

ORDER NO.	Dim											Allowable Handle Torque (kgf.m)	Gripping Force (kgf)	I (kgf.m)	Weight (kgs)	Max. Speed (r.p.m.)	Gripping Range		CODE NO.
	A	B	C	D	E	F	G	H	J	K	L						O.D. Range	I.D. Range	
VSC-3	85	46	60	73	16	4	3-M6	36	11	15	7	3.0	900	-	1.9	2500	Ø2-Ø70	Ø24-Ø64	5002-001
VSC-4	112	59	80	95	24	4.5	3-M8	42	14	17	8	4.5	1200	-	3.9	2500	Ø3-Ø90	Ø32-Ø84	5002-002
VSC-5	132	60	100	115	32	4.5	3-M8	50	16	20	8	6.5	1500	0.01	4.6	2500	Ø3-Ø110	Ø35-Ø100	5002-003
VSC-6	165	67	130	147	45	5	3-M10	63	19	23	10	9.0	3300	0.03	7.6	2000	Ø4-Ø160	Ø48-Ø150	5002-004
VSC-7	192	76.5	155	172	58	5	3-M10	77	21.5	28	11	11.0	3600	0.06	12	2000	Ø4-Ø180	Ø56-Ø170	5002-005
VSC-8	200	76.5	160	176	58	5	3-M10	77	21.5	28	11	11.0	3600	0.07	13.3	2000	Ø4-Ø180	Ø56-Ø170	5002-006
VSC-9	232	84	190	210	70	6	3-M12	87	24	34.5	12	15.0	3900	0.15	19.3	2000	Ø5-Ø220	Ø62-Ø210	5002-007
VSC-10	273	87	230	250	87	8.5	3-M12	98	28	39	12	19.5	4800	0.25	26.2	1800	Ø6-Ø260	Ø70-Ø250	5002-008
VSC-12	310	96	260	285	105	7	3-M12	110	30	45	14	21.0	5700	0.58	37.6	1800	Ø10-Ø300	Ø86-Ø290	5002-009
VSC-14	355	112	300	328	127	7	6-M12	132	35	50	15	23.0	4500	-	57.2	1500	Ø12-Ø350	Ø96-Ø230	5002-009A
VSC-16	405	122	345	375	160	8.5	3-M14	146	42	56	15	23.0	4500	1.75	80.7	1500	Ø14-Ø400	Ø100-Ø380	5002-010