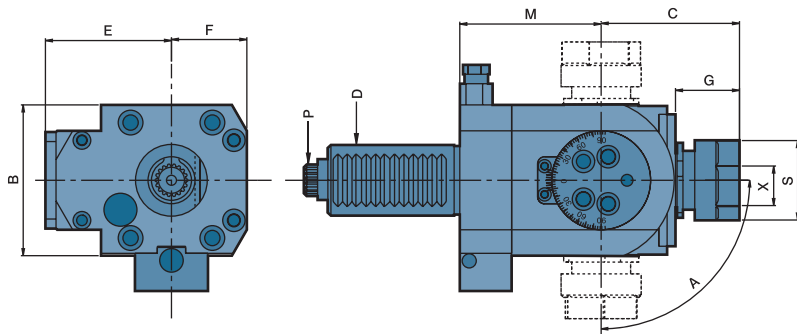




# Angular Heads

ANGLE IS ADJUSTED

DIN 5480



- Collet is not included
- To be used for collet DIN 6499
- External coolant supply

## DIMENSIONS

ORDER NO.	D DIN 69880	X Capacity	S	Maximum R.P.M.	i	A	B	C	E	F	G	M	P DIN 5480	CODE NO.
DA30548020B	30	1-13 ER20	35	4000	1 : 1	±90°	64	59	54	32	27	67	W16X0.8	5006-061A