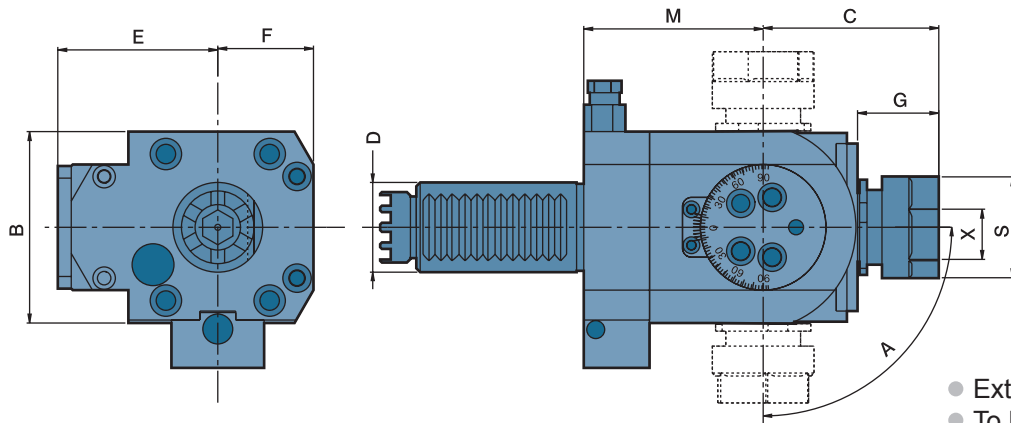




Angular Heads



- External coolant supply
- To be used for collet DIN 6499
- Collet is not included

DIMENSIONS

ORDER NO.	D DIN 69880	X Capacity	S	Maximum R.P.M.	i	A	B	C	E	F	G	M	CODE NO.
DA30IT20B	30	1-13 ER20	35	4000	1 : 1	±90°	64	59	54	32	27	67	5006-165A

Other shank dimensions under development