



# Multi-Lock Milling Chuck



COLLET HOLDER WITH ISO, BT & SK TAPER SHANK  
STRAIGHT COLLET TYPE

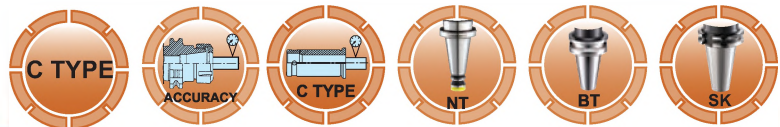
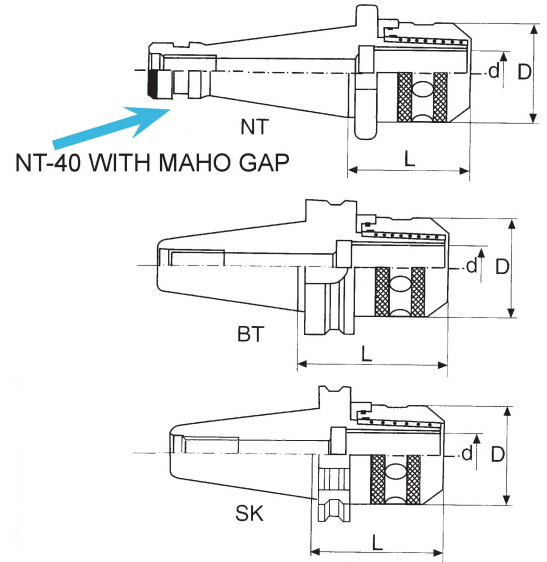
C-32 C-42

DIN 2080, MAS 403 DIN 69871A

C-20,25,32,42 TYPE



C TYPE



ORDER NO.	TAPER	CHUCK	d	D	L	DRAW BAR	KGS	CODE NO.
VB-431	NT40	NT40-MC32-95L	32	75	95	5/8"-11	3	3202-001
VB-432		NT40-MC32-95L	32	75	95	M16x2.0P	3.1	3202-002
VB-433	NT50	NT50-MC32-100L	32	75	100	1"-8	4.8	3202-003
VB-434		NT50-MC32-100L	32	75	100	M24x3.0P	5.1	3202-004
VB-435A	BT40	BT40-MC32-105L	32	75	105	M16x2.0P	3.2	3202-005
VB-435B		BT40-MC32-150L	32	75	150	M16x2.0P	3.5	3202-020
VB-436	BT50	BT50-MC32-110L	32	75	110	M24x3.0P	5.2	3202-006
VB-437		BT50-MC32-150L	32	75	135	M24x3.0P	7	3202-007
VB-438	NT50	NT50-MC42-110L	42	87	110	1"-8	6	3202-008
VB-439		NT50-MC42-110L	42	87	110	M24x3.0P	6.1	3202-009
VB-440	BT50	BT50-MC42-115L	42	87	115	M24x3.0P	6.1	3202-010
VB-441		BT50-MC42-150L	42	87	140	M24x3.0P	7.8	3202-011
VB-442	SK40	SK40-MC32-100L	32	75	100	M16x2.0P	3.1	3202-012
VB-443	SK50	SK50-MC32-105L	32	75	105	M24x3.0P	5.3	3202-013
VB-444A	BT30	BT30-MC20-95	20	52	95	M12x1.75P	1.3	3202-014
VB-446A	BT40	BT40-MC20-80	20	52	80	M16x2.0P	3	3202-016
VB-446B		BT40-MC20-120	20	52	120	M16x2.0P	2.7	3202-017
VB-447A		BT40-MC25-90	25	58	90	M16x2.0P	4.5	3202-018
VB-447B		BT40-MC25-135	25	58	135	M16x2.0P	3.2	3202-019
VB-448A		NT30	NT30-MC20-80	20	52	80	1. M12X1.75P 2. 1/2"-12	1.5
VB-448B	NT30-MC25-85		25	58	85	1. M12X1.75P 2. 1/2"-12	1.5	3202-031
VB-451A	SK40	SK40-MC20-80	20	52	80	M16X2.0P	2	3202-035
VB-451B		SK40-MC25-90	25	58	90	M16X2.0P	2	3202-036
VB-452	SK50	SK50-MC42-110	42	87	110	M24X3.0P	5.7	3202-037