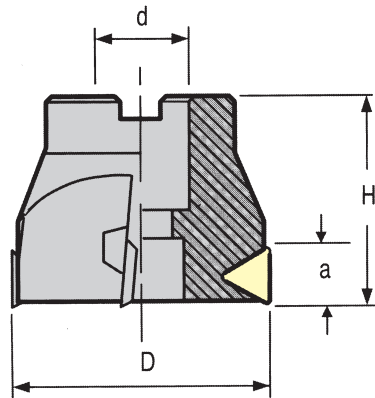
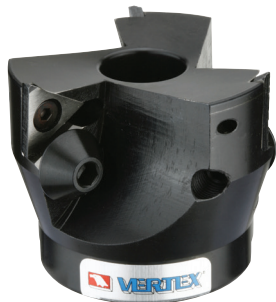






Shoulder Face Milling Cutter



ORDER NO.	D	d METRIC	H	a	BLADE	INSERT			CODE NO.
TPS-50	50	22	50	16	3	TPMN1603	SCR-W1/4	WRN-M4L	6003-065
TPS-63	63	22	50	16	4	TPMN1603	SCR-W1/4	WRN-M4L	6003-066