



- Black Granite Surface Plates meet or exceed JIS B7513/ISO-8512-2 Federal Specification GGG-P-463c.
 - Harder than steel.
 - Does not nick or burr.
 - Retains accuracy for years.
 - Auto-collimator checked for overall accuracy.
 - Guaranteed repeat reading.
- Includes an inspection certificate to show the unilateral accuracy of plate.
- Does not rust or corrode.
 - Surface Accuracy : 0.013~0.0065 / 100 mm

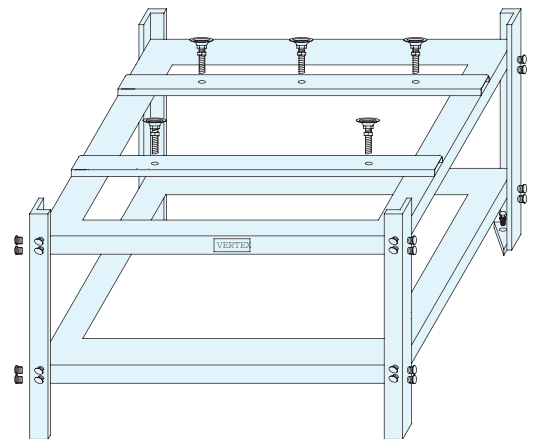
Accuracy and O-Ledge Style available only in toolroom Grade A

Surface Plates

Unit:mm

ORDER NO.	SIZE	SURFACE ACCURACY	APPROX. WEIGHT	CODE NO.
	mm	mm	kgs	
VSG-04	250x300x52	0.0065	12.6	2021-019
VSG-05	300x300x60	0.0065	17	2021-020
VSG-06	300x450x60	0.0065	25	2021-021
VSG-07	450x450x75	0.0065	46	2021-022
VSG-09	450x600x100	0.007	82	2021-023
VSG-10	600x600x100	0.009	109	2021-024
VSG-11	600x900x110	0.009	185	2021-025
VSG-13	900x1200x135	0.012	440	2021-027
VSG-14	1000x1000x135	0.012	408	2021-028
VSG-15	1000x1500x200	0.013	910	2021-029
VSG-21	900x900x160	0.013	380	2021-032

NEW



Strong & Rigid

Separated Modular Design DIY Type.
Low Profile Packing With Adjustment Screw For Leveling
Material : SS41

Black Granite Surface Plates Stand

ORDER NO.	STAND SIZE	KGS	CODE NO.
	mm		
VSGD-09N	450x600x700	32.6	2021-023N
VSGD-10N	600x600x700	35.9	2021-024N
VSGD-11N	600x900x700	53.7	2021-025N
VSGD-13N	900x1200x700	72.8	2021-027N
VSGD-14N	1000x1000x700	72.3	2021-028N
VSGD-15N	1000x1500x700	83.7	2021-029N
VSGD-21N	900x900x600	73.0	2021-032N