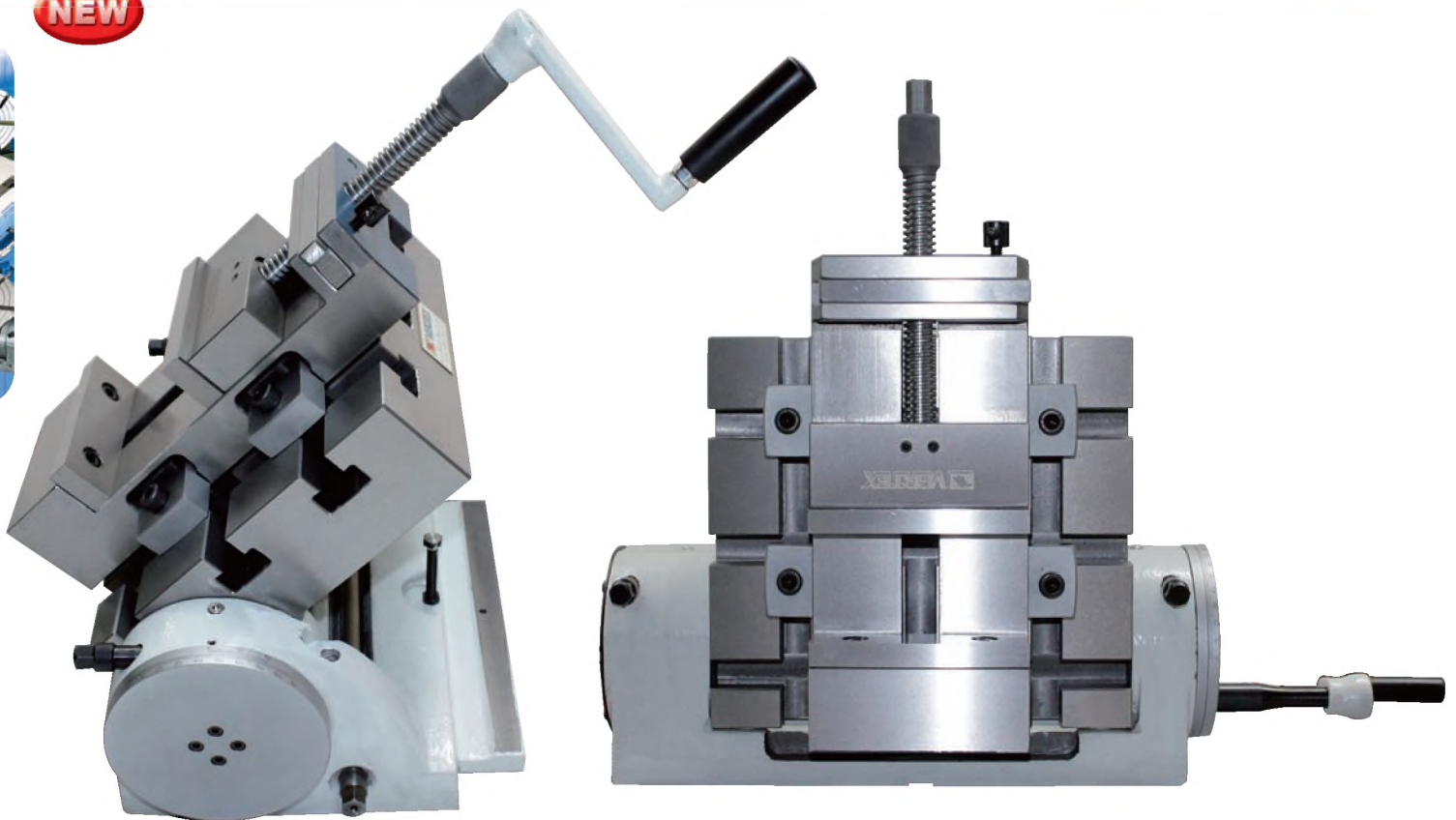
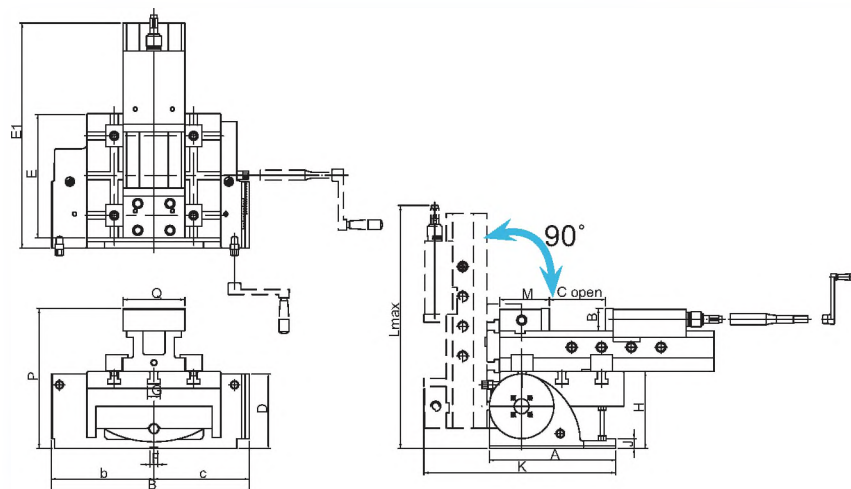


NEW



0°-90°

- THE FEATURE IS SAME AS VUT-4NC
- Special design for quick clamping. (From the acme thread shaft stationly)
- Quick setting by sliding movement. Big clamping capability.
- Operating very quick and easy, can increase so much working efficiency than you can image.
- Good for short term and massive production or proto type work.
- Suit for milling machine, grinding machine, precision drilling machine.
- Accurate grounded and assembled.
- Precision cut acme thread.
- Horizontal & vertical



ORDER NO.	A	B	C open	D	E	E1	F	G	H	J	K	L max.	M	P	Q	b	C	CODE NO.
VUT-3QS	180	34	85	113	150	240	16	20	115	16	255	412	28	185	81	143	125	1002-258
VUT-4QS	255	36	104	150	258	266	16	22	155	20	332	485	55	227	105	210	187	1002-259
VUT-5QS	300	36	125	169	298	307	16	26	169	25	379	563	60	243	131	235	212	1002-260