



Oil Skimmer With Belt Type

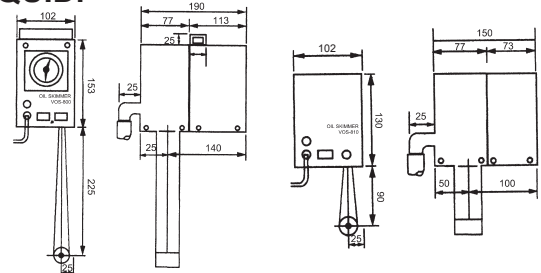


OIL SKIMMER FOR MACHINE TOOL.
IT IS FOR CLEAR FLOATING OIL ON CUTTING LIQUID.



ORDER NO. VOS-800

ORDER NO. VOS-810



FEATURES

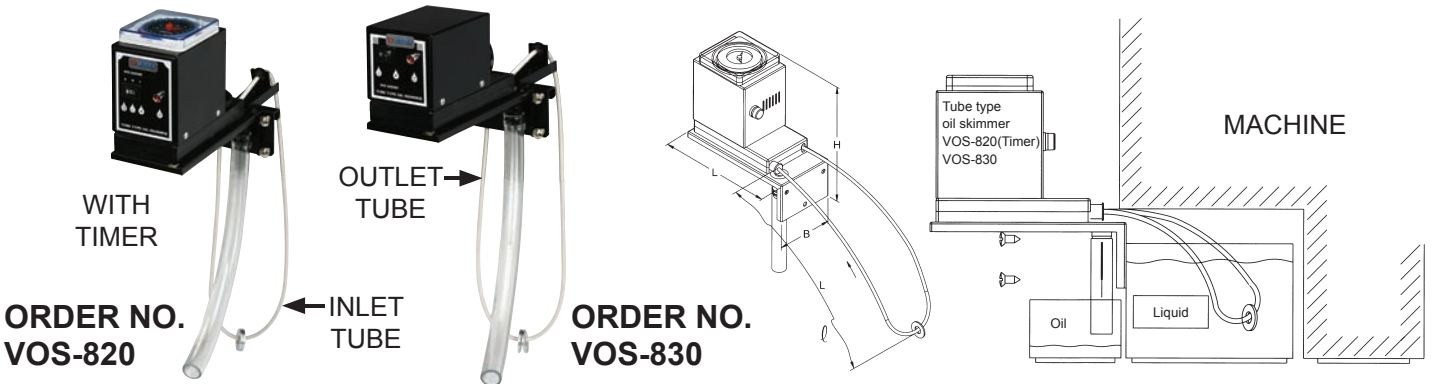
- Oily leather belt cycle for collecting oil and efficiently and completely getting rid of dirty oil.
- Much less cost of running., without any material expended.
- Small volume., light weight., easy to install and to operate.
- Special leather belt with feature of excellent durability, heat-resistance, and chemical-resistance.
- VOS-800 attached a 24 hours procedure timer to run repeatedly in accordance with time proportion which it is set, and also provides the best efficiency of sucking floating oil.

Unit: mm

| ORDER NO. | POWER SOURCE | CAPACITY | DIMENSION | | | WEIGHT (kgs) | BELT DIMENSION | | DIMENSION OF HOSE | CODE NO. |
|-----------|--------------|----------|-----------|--------|--------|--------------|----------------|---|-------------------|----------|
| | | | L | B | H | | B | L | | |
| VOS-800 | AC 110/220V | 4L/h | 190 mm | 102 mm | 153 mm | 3.4 | 39x800 mm | | ø22x600 mm | 2020-100 |
| VOS-810 | | | 150 mm | 102 mm | 138 mm | 3 | 39x550 mm | | | 2020-101 |



Oil Skimmer With Belt Type



ORDER NO. VOS-820

ORDER NO. VOS-830

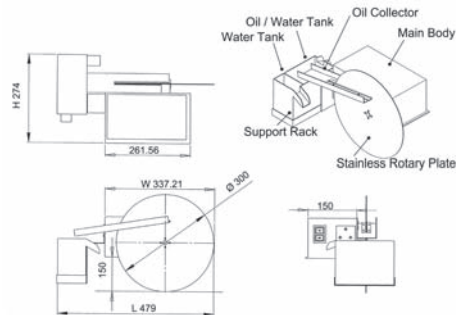
IF THE MACHINE DON'T HAVE SPACE FOR THE OIL SKIMMER. PLEASE CHOICE THIS TYPE.

Unit: mm

| ORDER NO. | CAPACITY | DIMENSION | | | INLET TUBE SIZE | OUTLET TUBE SIZE | | POWER SOURCE | WEIGHT (kg) | CODE NO. |
|-----------|----------|-----------|-------|--------|-----------------|------------------|--------|--------------|-------------|----------|
| | | L | B | H | | ø22 | 150 mm | | | |
| VOS-820 | 1L/hr | 155 mm | 78 mm | 178 mm | 2:300 mm | ø22 | 150 mm | AC 110/220V | 1.9 | 2020-102 |
| VOS-830 | | 155 mm | 78 mm | 140 mm | 3:200 mm | | | | 2 | 2020-103 |



Oil Skimmer With Rotary Plate Type



Unit: mm

| ORDER NO. | CAPACITY | POWER SOURCE | DIMENSION | | | WEIGHT (kgs) | CODE NO. |
|-----------|----------|--------------|-----------|--------|-----|--------------|----------|
| | | | L | W | H | | |
| VOS-850 | 1L/hr | AC 220V | 479 | 337.21 | 274 | 8.6 | 2020-104 |