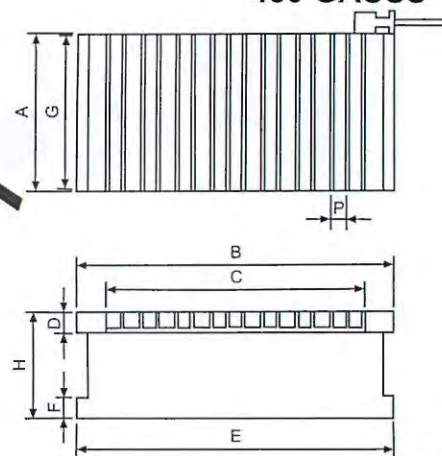
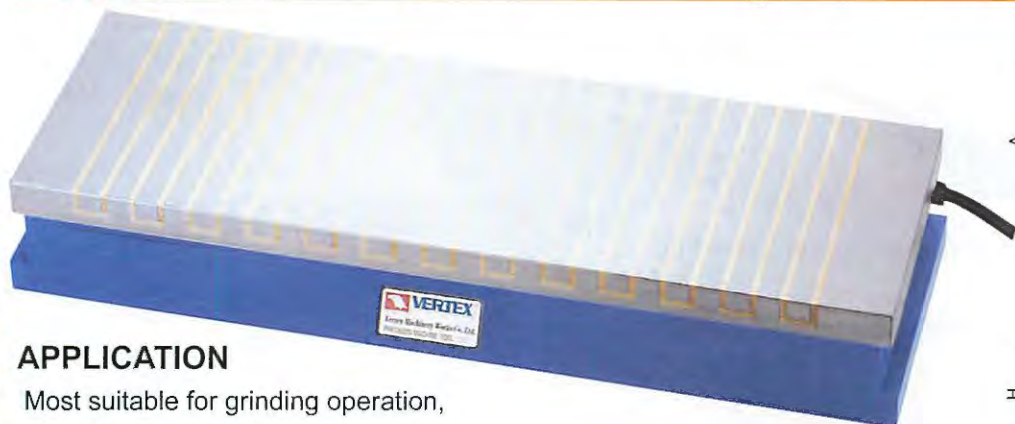




Standard Pole Electro Magnetic Chuck



450 GAUSS



APPLICATION

Most suitable for grinding operation, of standard electromagnetic chuck.

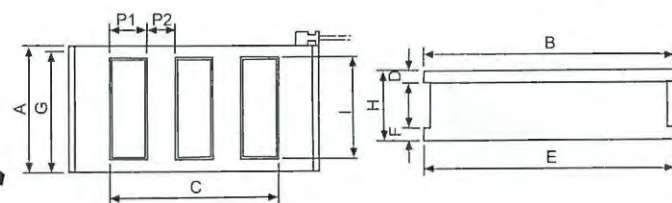
Unit:mm

ORDER NO.	DIMENSION	CHUCKING SIZE				POLE PITCH		CHUCK MOUNTING FACE				VOLTAGE	CURRENT	WEIGHT (kg)	CODE NO.
		A	B	C	D	P	G	E	F	H					
VEM-1530A	150x300	150	300	228	20	15(3+12)	144	316	20	70	DC-90V	0.15A	21	2015-221	
VEM-1535A	150x350	150	350	288	20	15(3+12)	144	366	20	70	DC-90V	0.18A	25	2015-222	
VEM-1545A	150x450	150	450	378	20	15(3+12)	144	466	20	70	DC-90V	0.24A	32	2015-223	
VEM-2040A	200x400	200	400	348	20	15(3+12)	194	416	20	70	DC-90V	0.47A	38	2015-224	
VEM-2045A	200x450	200	450	378	20	15(3+12)	194	466	20	70	DC-90V	0.35A	43	2015-225	
VEM-2550A	250x500	250	500	438	20	15(3+12)	240	500	20	70	DC-90V	0.73A	67	2015-226	
VEM-3060A	300x600	300	600	529	20	15(3+12)	290	600	20	70	DC-90V	0.97A	97	2015-227	
VEM-4080A	400x800	400	800	725	25	19(3+16)	390	800	20	80	DC-90V	1.56A	182	2015-228	
VEM-40100A	400x1000	400	1000	936	25	19(3+16)	390	1000	20	80	DC-90V	1.60A	228	2015-229	
VEM-50100A	500x1000	500	1000	936	25	19(3+16)	490	1000	20	80	DC-90V	1.72A	285	2015-230	



Super-Powerful Electric Magnetic Chuck

MILLING M / C TYPE
1200 GAUSS



APPLICATION

Most efficient for heavy cutting with milling machine, shaper, planer and planomiller. It displays the power for the thick work and the high speed cutting operation.

Unit:mm

ORDER NO.	DIMENSION	CHUCKING SIZE					POLE PITCH		CHUCK MOUNTING FACE				VOLTAGE	CURRENT	WEIGHT N.W. (kg)	CODE NO.
		A	B	C	D	I	P1	P2	G	E	F	H				
VEM-2040Z	200x400	200	400	332	20	160	40	35	194	400	20	110	DC-90V	0.71	54	2015-251
VEM-2050Z	200x500	200	500	422	20	160	48	34	194	500	20	110	DC-90V	0.91	75	2015-252
VEM-2060Z	200x600	200	600	520	20	160	48	30	194	600	20	110	DC-90V	1.00	80	2015-253
VEM-2550Z	250x500	250	500	422	20	200	42	34	240	500	20	120	DC-90V	1.16	90	2015-254
VEM-3060Z	300x600	300	600	520	20	240	48	30	290	600	20	120	DC-90V	1.63	130	2015-255
VEM-4080Z	400x800	400	800	718	25	340	48	30	390	800	20	120	DC-90V	2.53	230	2015-256
VEM-40100Z	400x1000	400	1000	917	25	340	45	35	390	1000	20	120	DC-90V	2.96	288	2015-257
VEM-50100Z	500x1000	500	1000	917	25	430	45	35	490	1000	20	120	DC-90V	3.96	360	2015-258
VEM-60100Z	600x1000	600	1000	917	25	530	45	35	590	1000	20	120	DC-90V	5.30	432	2015-259