



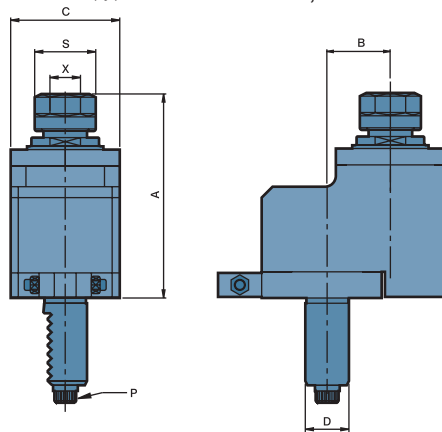
# Axial Drilling And Milling Heads-Offset



OFFSET

※ ORDER MADE, NOT REFUNDABLE.

DIN 5480



- Collet is not included
- To be used for collet DIN 6499
- External coolant supply

## DIMENSIONS

ORDER NO.	D DIN 69880	X Capacity	S	Maximum R.P.M.	i	A	B	C	P DIN 5480	CODE NO.
DA3054802529	30	1-16 ER25	42	4000	1 : 1	100	29	60	W16X0.8	5006-057
DA3054802529/1	※ 30	1-16 ER25	42	8000	1 : 2	100	29	60	W16X0.8	5006-058
DA4054803250	40	2-20 ER32	50	4000	1 : 1	125	65	86	W20X0.8	5006-059